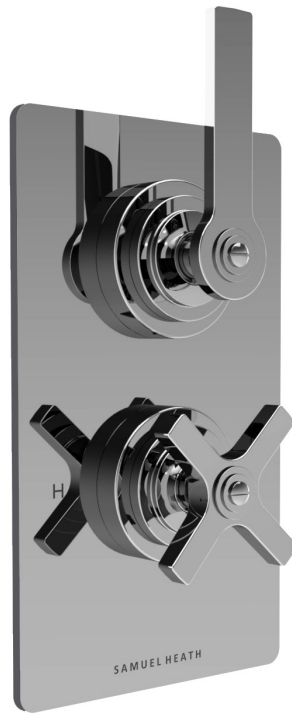


# SAMUEL HEATH

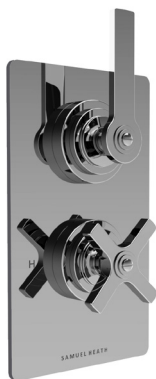
## Product Data Sheet

V711-T Trim To Suit V111-IS / V111-AIS

---



### - Available Control Options -



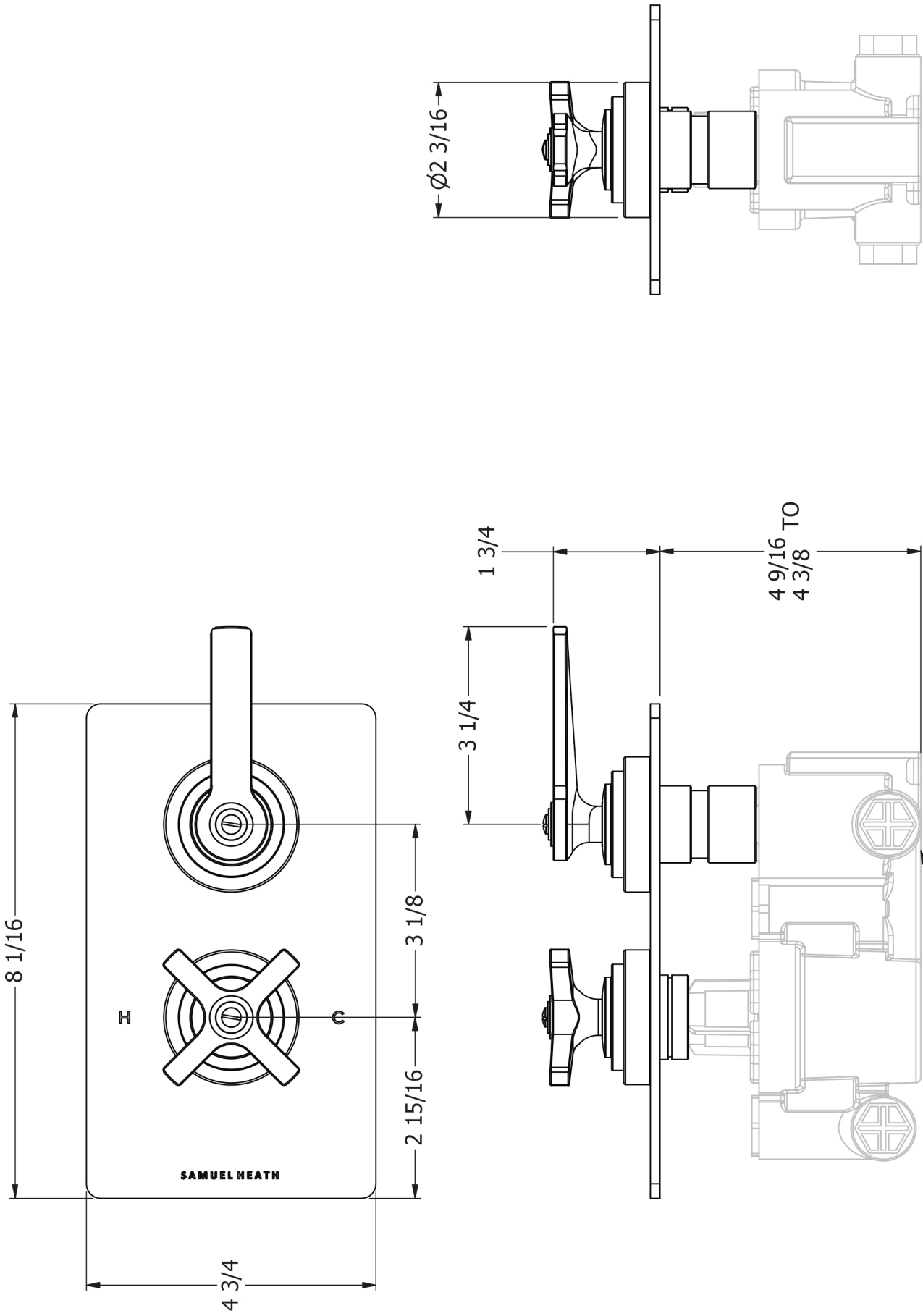
**V711-TLF**



**V711-TLK**

# Dimension Key

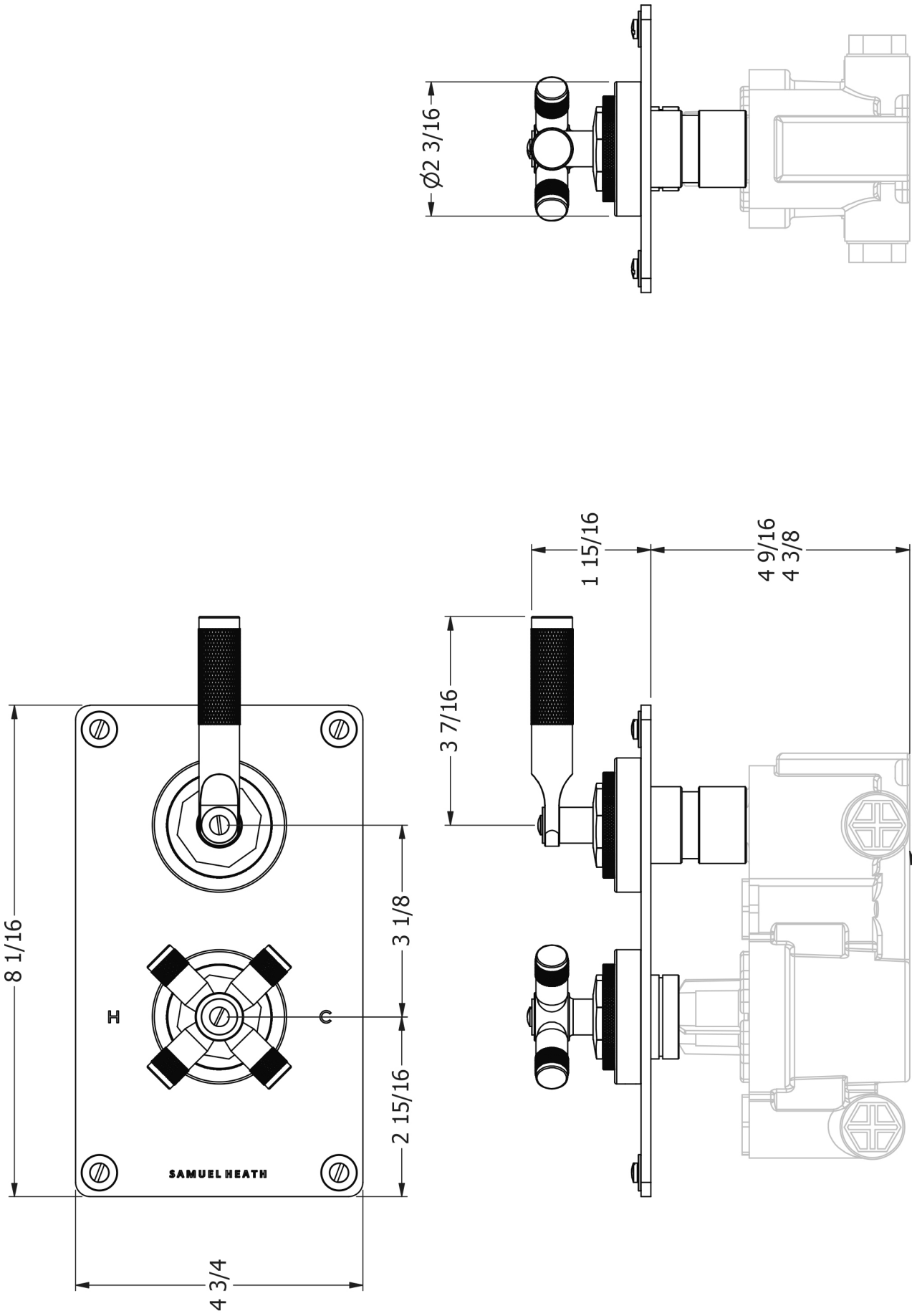
V711-TLF



SEE INSTALLATION KIT DRAWING  
UK & EU: V111-IS-XX  
US: V111-AIS-XX

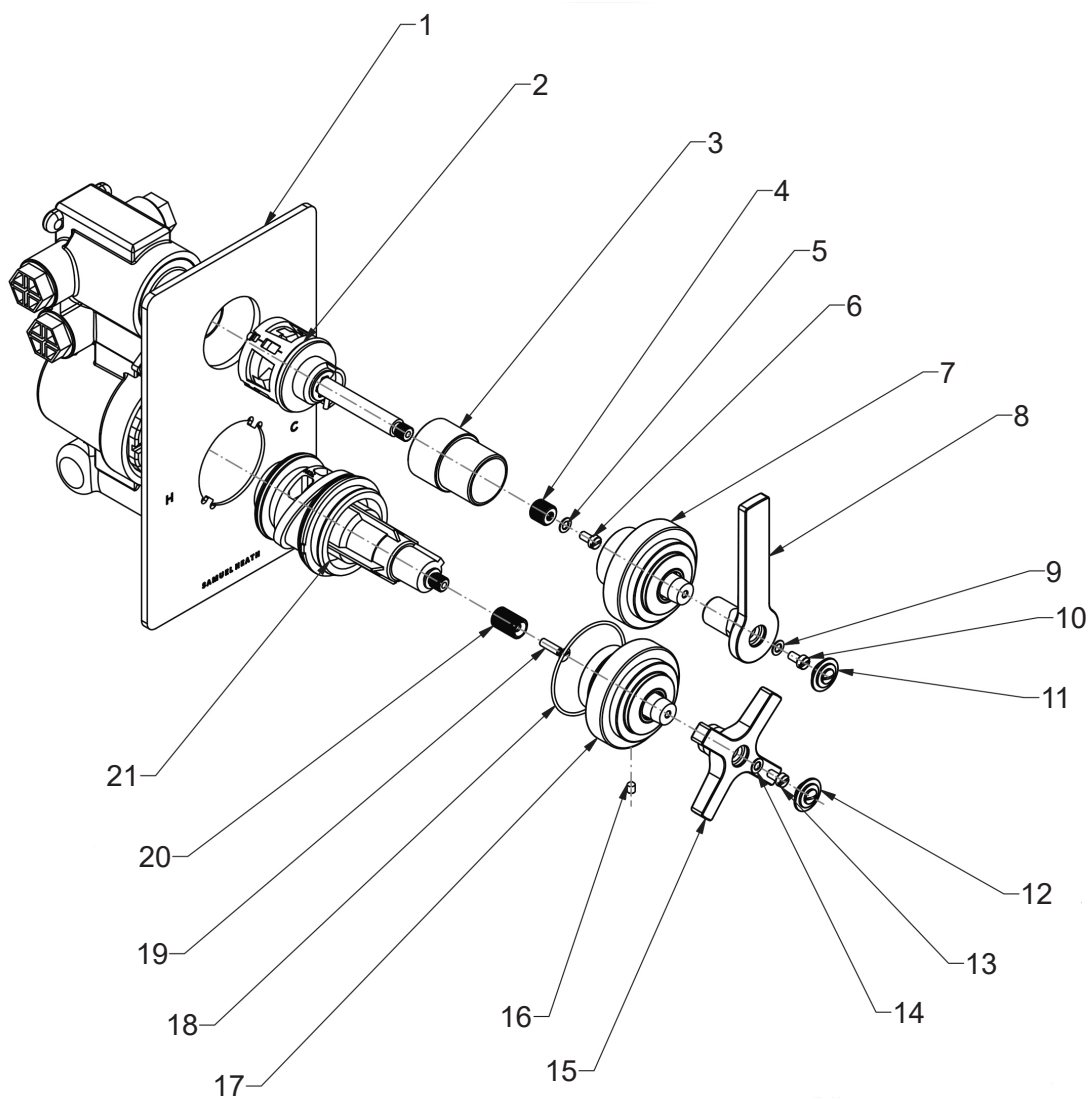
# Dimension Key

V711-TLK



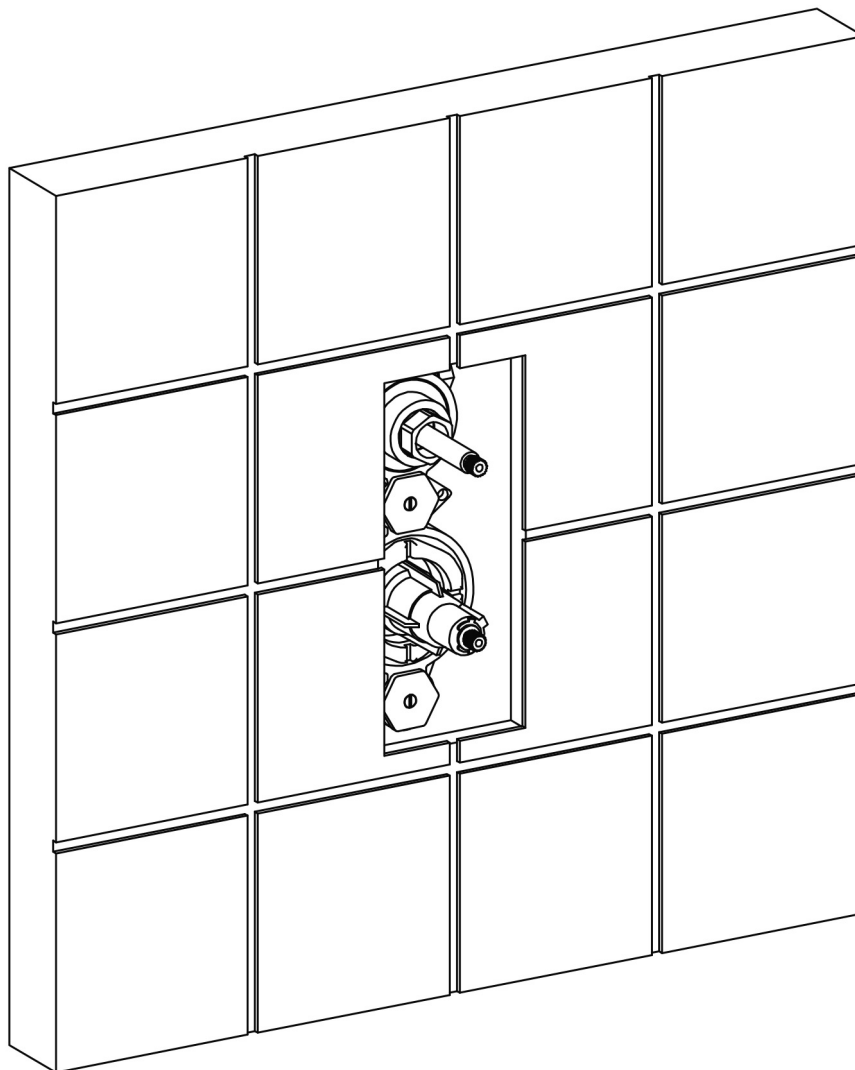
SEE INSTALLATION KIT DRAWING  
UK & EU: V111-IS-XX  
US: V111-AIS-XX

## Spares Information



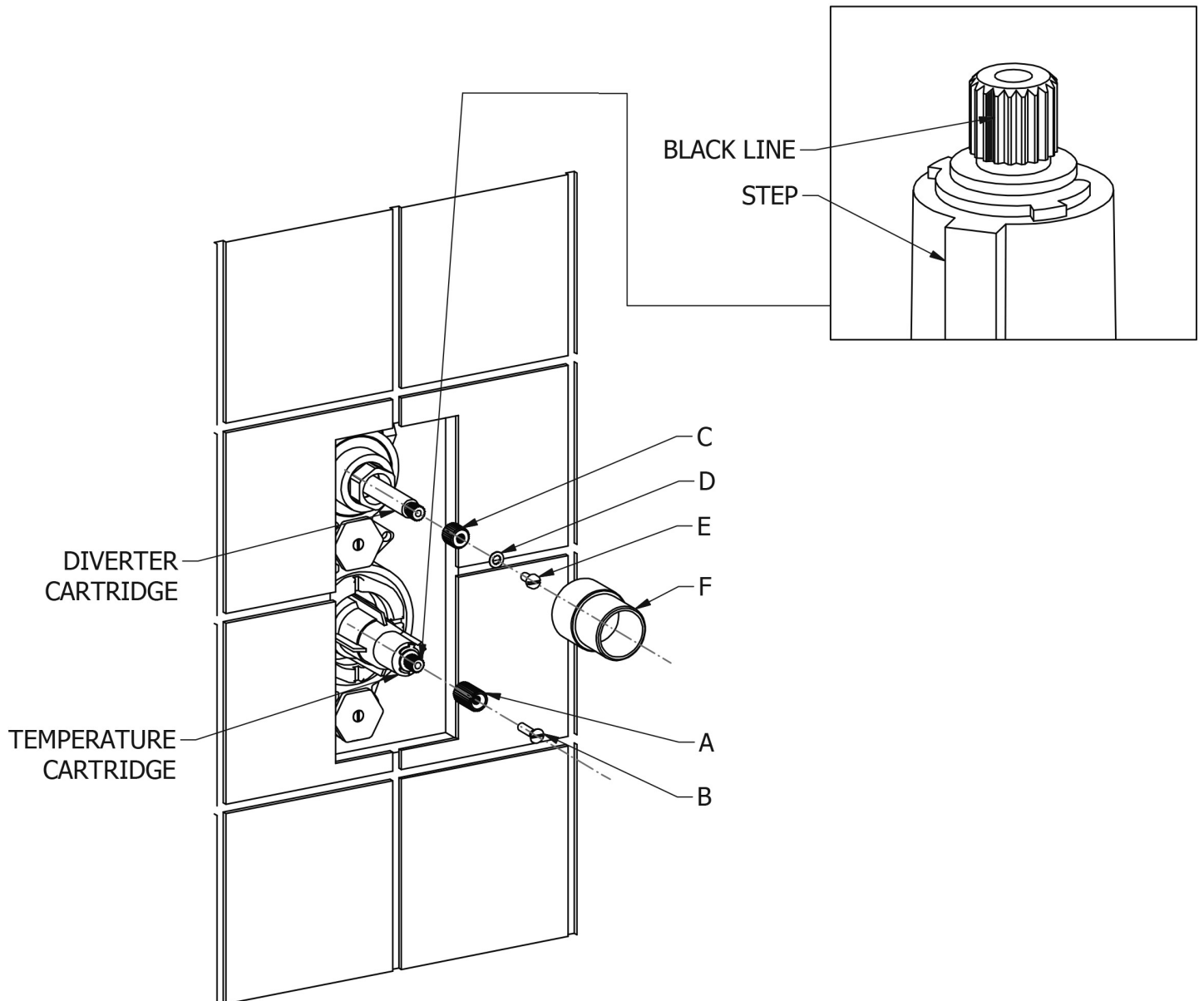
Item	Part No.	Description	Item	Part No.	Description
1	-	Shower Plate	12	-	Indice
2	VS56045	Diverter Cartridge	13	-	Screw
3	-	Threaded Collar	14	-	Washer
4	-	Short Spline	15	-	Cross Top
5	-	Washer	16	-	Grub Screw
6	-	Diverter Screw	17	-	Temperature Escutcheon
7	-	Diverter Escutcheon	18	-	O-Ring
8	-	Lever	19	-	Temperature Screw
9	-	Washer	20	-	Long Temperature Spline
10	-	Screw	21	VS56056	Thermo Cartridge
11	-	Indice			

## Installation



1. Install the finished surface, ensuring the finished surface is in accordance with the minimum and maximum installation depths shown on the drawings in the front of this booklet.

## Set Up



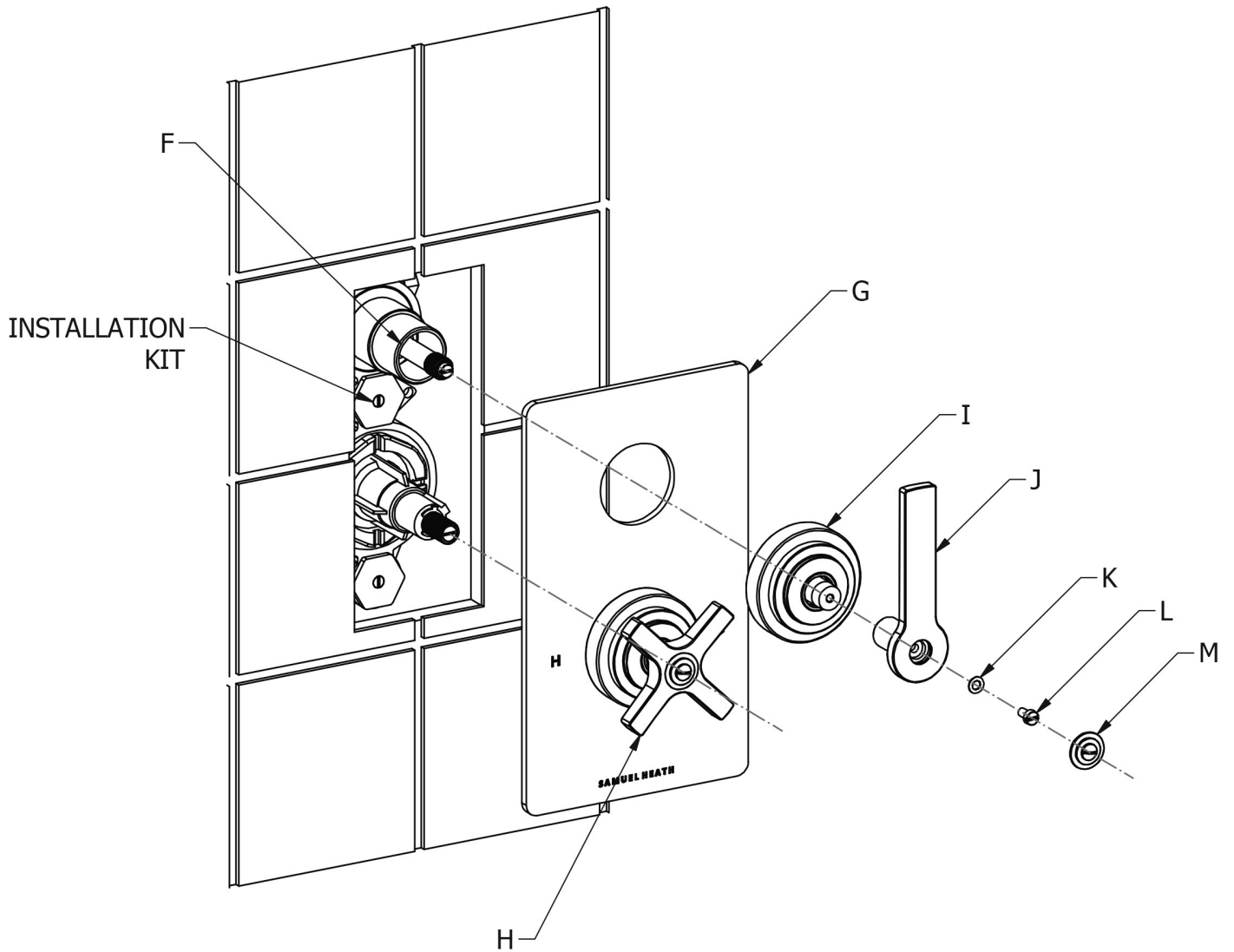
2. Ensure that the black line on the temperature spline is in line with the step on the cartridge.

3. Push temperature spindle extension (A) onto the temperature cartridge and secure using screw (B).

4. Push diverter spindle extension (C) onto the diverter cartridge and secure using washer (D) and screw (E).

5. Screw diverter threaded collar (F) onto the diverter cartridge.

## Set Up



6. Apply a bead of silicon sealant to the wall where the trim plate assembly (G) will sit.

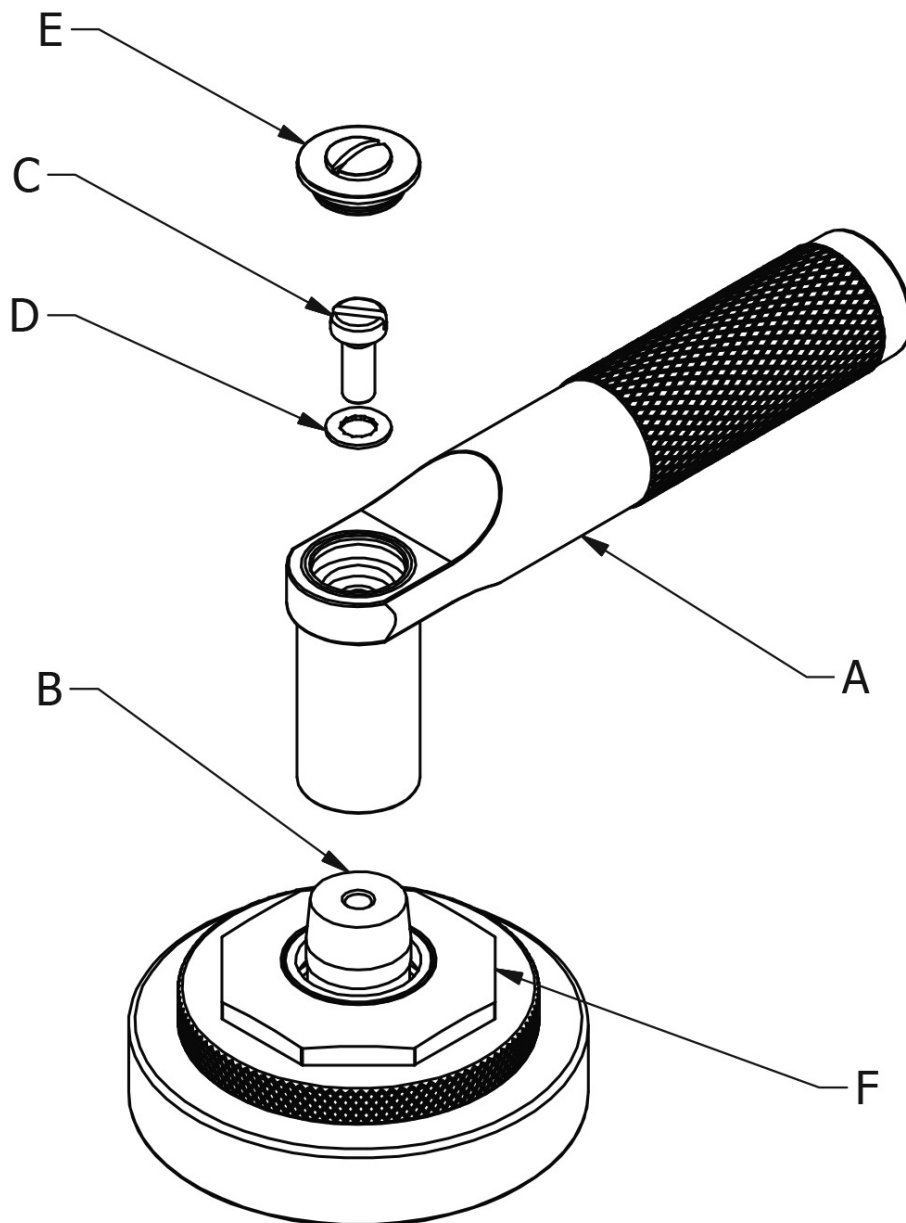
7. Push trim plate assembly (G) onto the installation kit, ensuring that temperature cross top (H) is turned anti-clockwise as far as it will go, without pressing it in to activate the temperature override before fitting.

8. Clamp the trim plate assembly in place by screwing the diverter body (I) onto diverter threaded collar (F).

9. Push lever/cross top controls (J), onto the diverter and volume bodies (I), secure control in place using washer (K) and screw (L).

10. Push indice caps (M) into lever/cross top controls (J) to conceal screw (L) and washers (K).

## Control Assembly Instructions



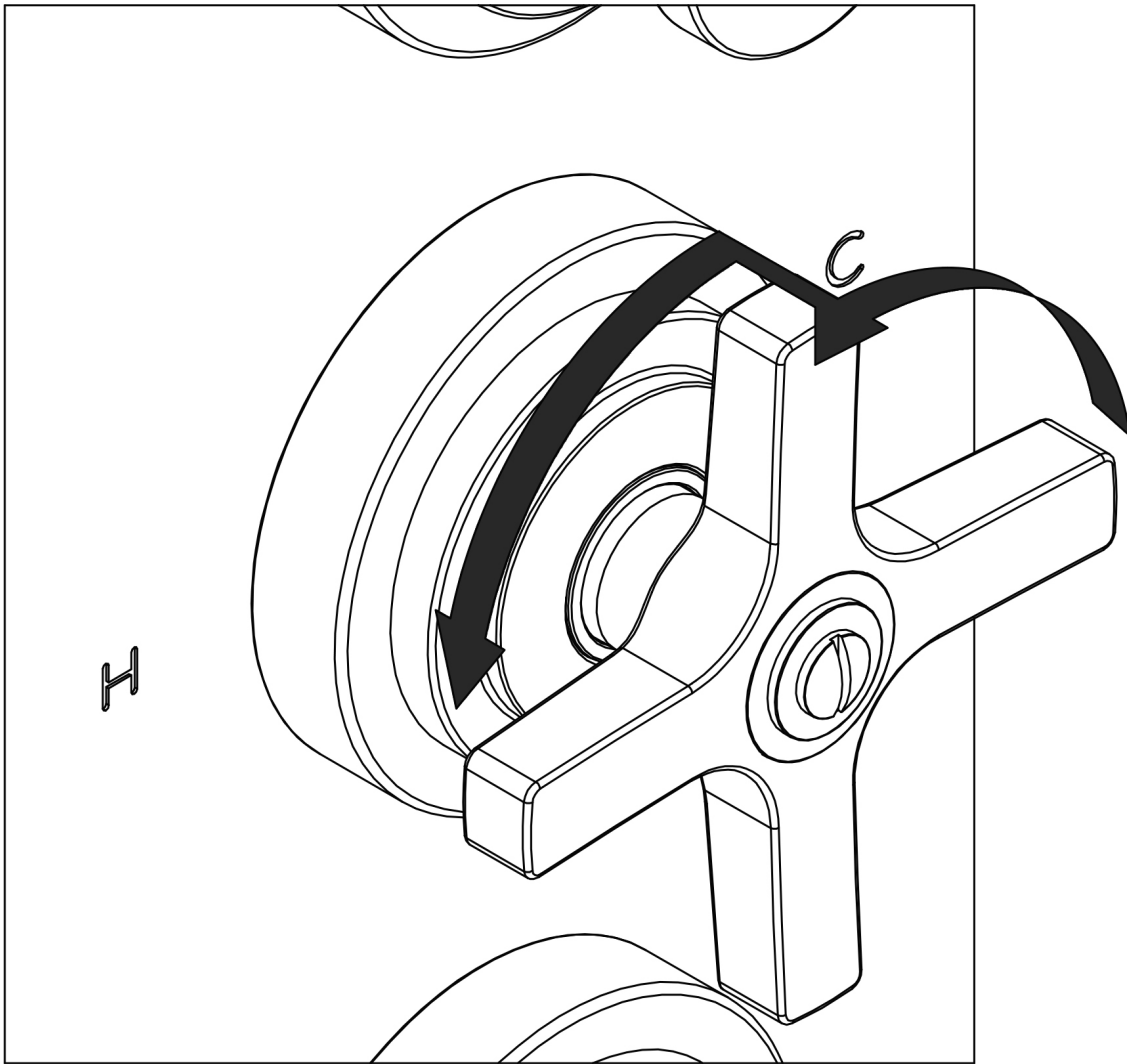
1. Screw handle (A) onto spindle (B) using screw (C) and washer (D).
2. Push indice (E) into the handle option (A) to conceal the fixing.
3. The octagonal nut (F) can be rotated to the desired angle.

**Note:** The taper on the spindle (B) will lock in to the female taper in the handle option (A).

To remove the handle option (A) remove the screw (C) and washer (D). The handle option (A) has an M5 thread through its central fixing hole, by screwing an M5 screw in to this it will push the handle option (A) and the spindle (B) apart.

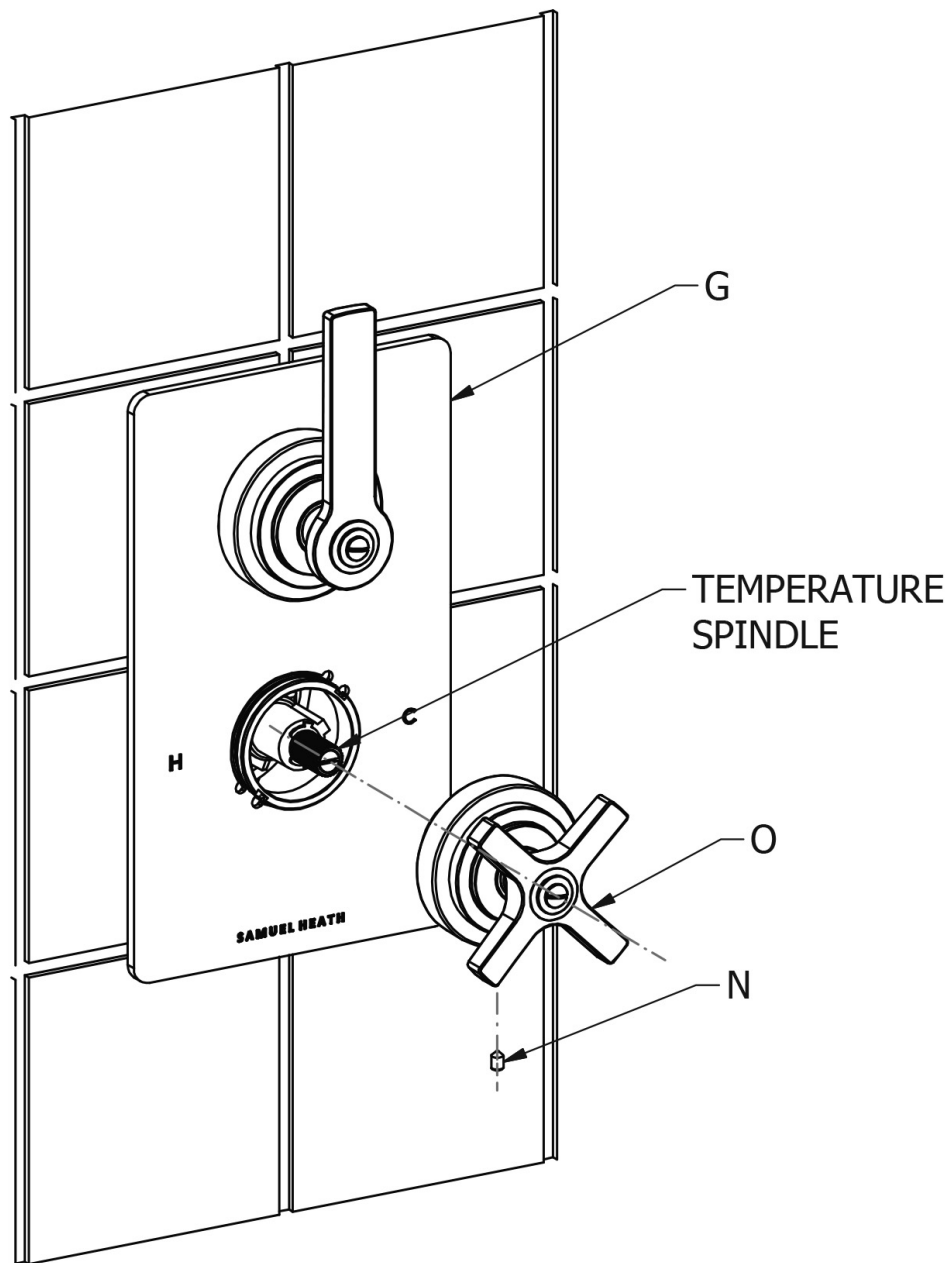


## Temperature Override Mechanism



- This product has a pre-set maximum temperature of 41°C - 43°C (106°F - 109°F)
- An additional temperature increase is available by pressing in the sprung loaded cross top as shown at the maximum setting.
- The unit automatically clicks back into pre-override when rotated back towards cold.
- For further temperature increases, please see “Adjusting The Temperature”

## Adjusting The Temperature



1. Remove grub screw (N) from the temperature body assembly (O).
2. Pull the temperature body assembly (O) away from the shower plate (G).
3. Rotate the temperature spindle anti-clockwise to make the water hotter, or clockwise to make the water colder.
4. Reassemble temperature body assembly (O) and secure with grub screw (N).



## IMPORTANT NOTES

1. Installation should be carried out by a competent engineer, in accordance with water regulations.
2. Before installation, ensure supply pipes are flushed clean. Debris or loose particles will affect the efficiency of the ceramic disc cartridge.
3. For mixer taps, it is recommended that hot & cold pressures are equally balanced.
4. To help maintain the high quality finish, please clean with a soft damp cloth. Do not use abrasive polish or cleaners. Stains may be removed using undiluted washing up liquid.
5. Ceramic cartridges in hard water areas. To prolong the lifespan and reduce servicing periods of your Samuel Heath tap we recommend that a suitable water softener be fitted. Consult your installer/designer for details.
6. Please note that as with all tap and shower ware it will be necessary from time to time for the products to be serviced, this should be carried out by a qualified Plumbing Engineer.

## NOTES IMPORTANTES

1. L'installation doit être faite par un ingénieur qualifié, selon les règlements du Service Eau.
2. Avant l'installation, il faut s'assurer que les tuyaux d'approvisionnement sont complètement purgés. Les déchets flottants auront un effet détrimentaire sur l'efficacité de la cartouche céramique.
3. Il est recommandé que les pressions de l'eau chaude et eau froide des mitigeurs et mélangeurs soient maintenues à un niveau égal.
4. Pour conserver la finition de haute qualité, nettoyer avec un chiffon doux et humide. N'employer jamais de la cire et des produits abrasifs. Les tâches peuvent être enlevées à l'aide de liquide vaisselle pur.
5. Cartouches en céramique dans les régions à eau calcaire. Pour prolonger la durée et réduire l'entretien de votre robinetterie Samuel Heath, nous recommandons d'utiliser un adoucisseur d'eau convenable. Veuillez consulter votre installateur/fournisseur pour plus de renseignements.
6. Veuillez noter qu'un entretien sera nécessaire de temps en temps et doit être effectué par un installateur qualifié.

## WICHTIGE HINWEISE

1. Installation sollte durch einen kompetenten Fachmann und nach den üblichen Vorschriften ausgeführt werden.
2. Vor Installation Wasserleitung gründlich durchspülen. Verschmutzung wird die Funktion der Kartusche erheblich einschränken.
3. Für Mischbatterien ist es wichtig, daß Wasser mit gleichem Druck eingeführt wird.
4. Um den optimalen Zustand dieses Produktes zu erhalten, wischen Sie es bitte nur mit einem feuchten, weichen Lappen ab. Auf keinen Fall Scheuermittel verwenden. Flecken lassen sich mit unverdünntem Geschirrspülmittel entfernen.
5. Keramikkartuschen in Hartwasserbereichen. Um die Lebensdauer zu verlängern und Wartungszeiten zu reduzieren empfiehlt Samuel Heath den Einsatz eines geeigneten Wasserenthärter. Fragen Sie Ihren Installateur/Designer um Rat.
6. Bitte merken Sie, dass alle Armaturen ab und zu eine Wartung brauchen. Diese soll durch einen kompetenten Installateur ausgeführt werden.

## ATENCION

1. La instalación se debe realizar por un fontanero.
2. Antes de la instalación, deben pulgar las tuberías dejando correr el agua por las tuberías para que arrastren los residuos de montaje/obra, con el motivo de que no afecte la eficacia del cartucho de cerámica.
3. Para grupo baño/ducha se recomienda que las presiones del agua caliente y frío sean equilibradas.
4. Para ayudar a mantener el acabado de este producto, limpiar con un paño húmedo suave. No se debe emplear productos abrasivos de baño. Las manchas se pueden quitar empleando líquido lava-vajillas puro.
5. Cartuchos cerámicos en áreas de aguas duras. Para prolongar su vida útil y reducir los periodos de reparación de su grifo SamuelHeath recomendamos la instalación de un descalcificador de agua. Consulte a su instalador para más detalles.
6. Igual que con todo tipo de grifería y duchas, de vez en cuando será necesario llevar a cabo una revisión al producto; esto debería ser realizado por un fontanero calificado.

## ATTENZIONE

1. L'impianto deve essere montato da personale tecnico in conformità alle vigenti leggi.
2. Prima dell'installazione assicurarsi che le tubature dell'acqua siano pulite. Detriti o residui di lavorazione compromettono l'efficienza del cartuccio.
3. Per i gruppi, si raccomanda che le pressioni acqua calda e acqua fredda siano ugualmente bilanciate.
4. Per mantenere la finizione di ottima qualità, pulire con un panno soffice e inumidito.  
Non usare creme lucidanti e materiali abrasivi. Le macchie potranno essere tolte usando del detersivo per piatti puro.
5. Come con tutti i tipi di rubinetti e docce, di volta in volta è necessario effettuare una revisione al prodotto; questo dovrebbe essere fatto da un idraulico qualificato.

## SAMUEL HEATH

### Head Office and Customer Service

Leopold Street  
Birmingham  
England  
B12 0UJ

T: +44 (0)121 766 4200  
F: +44 (0)121 772 3334

Info@samuel-heath.com  
www.samuel-heath.co.uk

### US Customer Service

usa@samuel-heath.com  
Federal I.D. No. 58-1504682  
www.samuel-heath.com

8-40493  
Issue: C