

SAMUEL HEATH

Product Number: V2K4ASC12

Description: Exposed 1/2" thermostatic shower set - bath spout and diverter



Finishes Available



Chrome Plate



Polished Nickel



Non Lacquered Brass

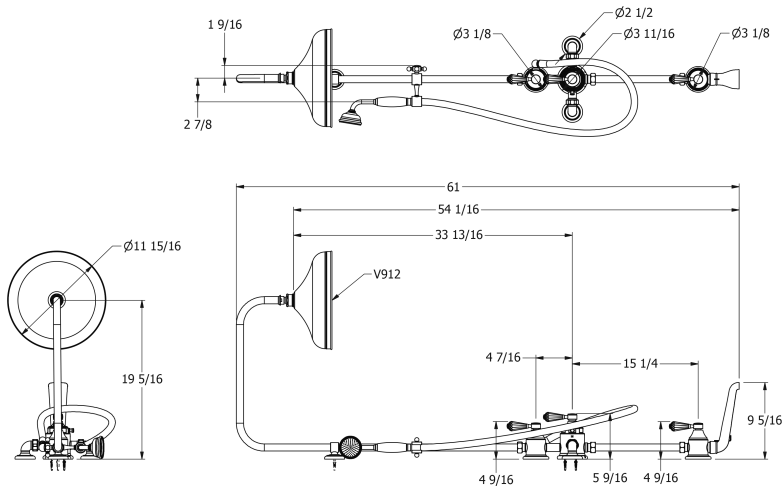


Antique Gold



Brushed Gold
Unlacquered

Specification Drawing



Kit Components



V223



V255-M



V271



V278-TSC

V912



V941

V240-A

V221-TSC

UK Customer Service

Leopold Street
Birmingham
B12 0UJ
Tel: +44 121 766 4200
Email: info@samuel-heath.com

US Customer Service

Federal I.D. No. 58-1504682
Email: usa@samuel-heath.com

Specification Enquiries

Design Centre Chelsea Harbour
1st Floor, North Dome, London
SW10 0XE
Tel: 020 7352 0249
Email: showroom@samuel-heath.com