

SAMUEL HEATH

Product Number: V7B1AXLF9

Description: 1/2" Concealed thermostatic shower - 2 volume controls



Finishes Available



Chrome Plate



Polished Nickel



Stainless Steel with Matt Black



Urban Brass



City Bronze

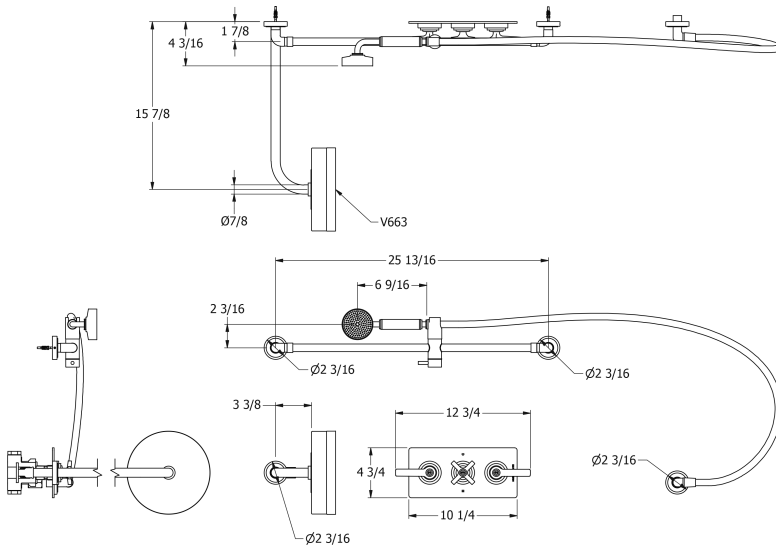


Matt Black Chrome



Urban Brass Matt Lacquered

Specification Drawing



Kit Components



V702-TLF



V663-A



V754-AF



V762-A



V764-A



V770



V941

UK Customer Service

Leopold Street
Birmingham
B12 0UJ
Tel: +44 121 766 4200
Email: info@samuel-heath.com

US Customer Service

Federal I.D. No. 58-1504682
Email: usa@samuel-heath.com

Specification Enquiries

Design Centre Chelsea Harbour
1st Floor, North Dome, London
SW10 0XE
Tel: 020 7352 0249
Email: showroom@samuel-heath.com