

533RH, 533TB-18, 533TB-24, 533TPL, 533TPR, 533TR
Museo[™] Accessories

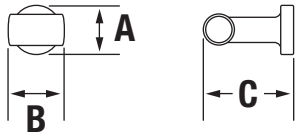
Operation & Maintenance Manual

Model Numbers	Specifications
<input type="checkbox"/> 533RH <i>Robe Hook</i>	<p>All premium accessories made from brass plated in standard polished chrome finish.</p> <hr/> <p>Compliance</p> <p><u>For California Residents</u> WARNING: This product contains chemicals known to the State of California to cause cancer, birth defects, or other reproductive harm.</p>
<input type="checkbox"/> 533TB-18 <i>18" Towel Bar</i>	
<input type="checkbox"/> 533TB-24 <i>24" Towel Bar</i>	
<input type="checkbox"/> 533TPL <i>Toilet Paper Holder (left hand)</i>	
<input type="checkbox"/> 533TPR <i>Toilet Paper Holder (right hand)</i>	
<input type="checkbox"/> 533TR <i>Towel Ring</i>	
Modifications	Warranty
<input type="checkbox"/> -BLK <i>Polished graphite finish</i>	<p>Limited Lifetime - to the original end purchaser in consumer installations. 5 Years - for commercial installations.</p> <p>Refer to www.symmons.com/warranty for complete warranty information.</p>
<input type="checkbox"/> -STN <i>Satin nickel finish</i>	

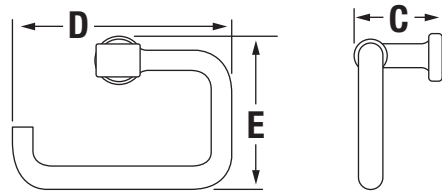
Note: Append appropriate -suffix to model number.

Dimensions

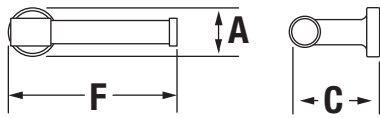
533RH



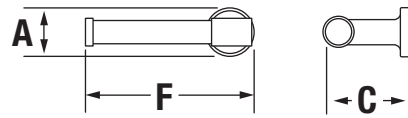
533TR



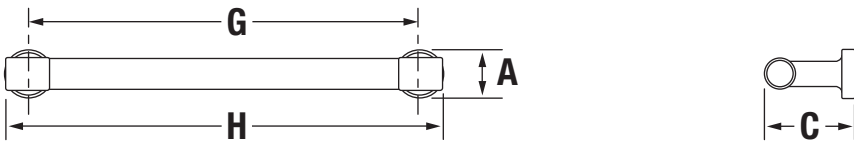
533TPR



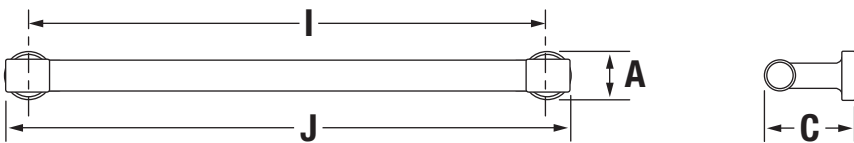
533TPL



533TB-18




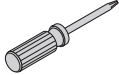

533TB-24



Measurements

A	2", 51 mm
B	1 7/8", 48 mm
C	3 7/16", 87 mm
D	7 1/2", 191 mm
E	5 3/8", 137 mm
F	6 1/2", 165 mm
G	18", 457 mm
H	20", 508 mm
I	24", 610 mm
J	26", 660 mm

Required for Installation

Allen wrench (3/16")	
Phillips head screwdriver	
Power drill	

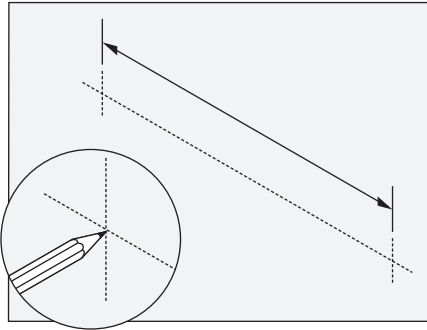
Replacement Parts

Description	Part Number
Mounting Hardware Kit	RA-017

Note: Dimensions are subject to change without notice.

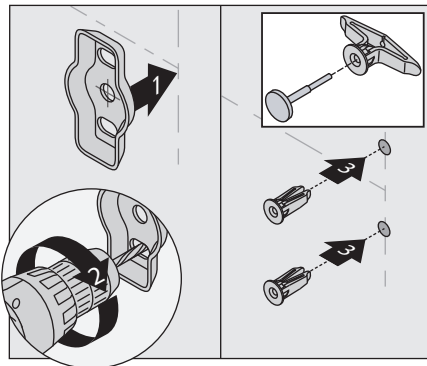
Installation

- 1) Measure and mark centerlines for mounting bracket installation using dimensions on page 2.



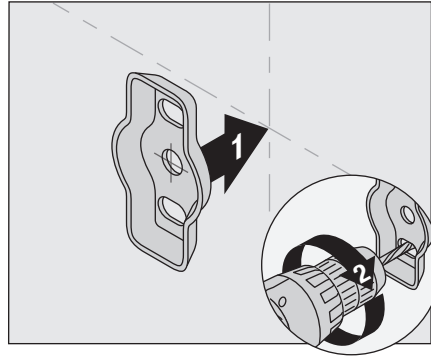
Notes: 533TB-18 and 533TB-24 only. Make sure both centerline marks are level.

- 2a) **Dry Wall Option:** Place mounting brackets into desired position. Using brackets as a guide, mark holes. Push toggle anchors into wall.

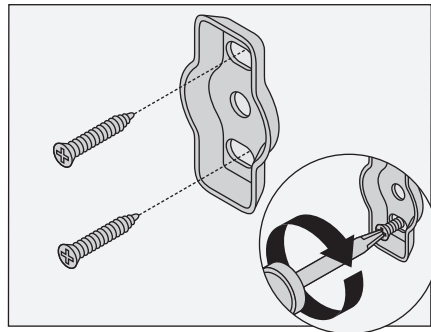


Note: For plaster walls 1/2" thick or less, insert toggle tool into toggle to secure behind wall prior to installing accessory trim.

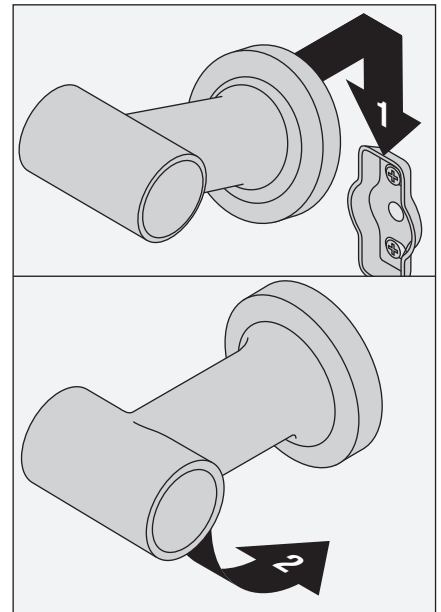
- 2b) **Stud Option:** Place mounting brackets into desired position. Using brackets as a guide, carefully drill 3/16" holes into wall.



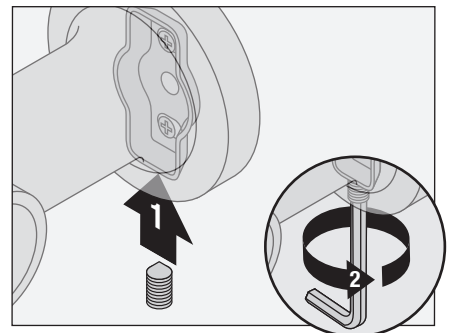
- 3) With mounting brackets in position, secure to wall using screws.



- 4) Hang top of accessory on mounting bracket. Lower into position.



- 5) Secure with set screw.



Care and Cleaning

- 1) Clean finished trim area with a soft cloth using mild soap and water or a non-abrasive cleaner and then quickly rinse with water.

