



SYMMONS® Sereno®

the smart choice™



Wall-Mounted Lavatory Faucet SWM-4310 Installation Brief

Model Numbers

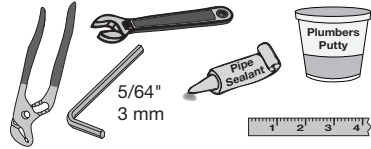
SWM-4310... Wall-Mounted Lavatory faucet with standard chrome finish

Decorative Finishes

Append finish suffix code to replacement part numbers when applicable

- STN Satin nickel
- Chrome (standard)

Tools & Materials



Compliance

- ASME A112.18.1/CSA B125.1
- NSF/ANSI 61.9, NSF/ANSI 372
- WaterSense 1.5 gpm

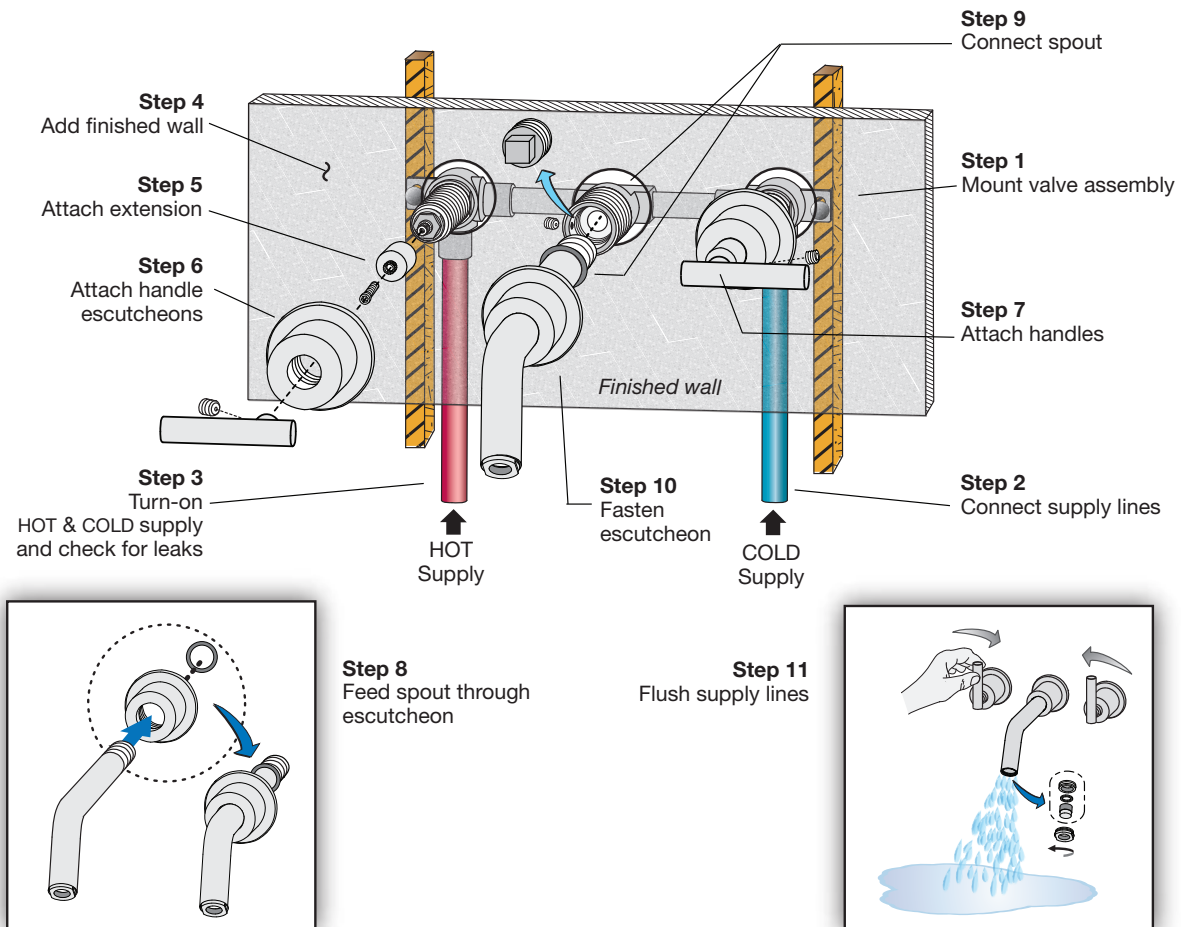


Need Help?

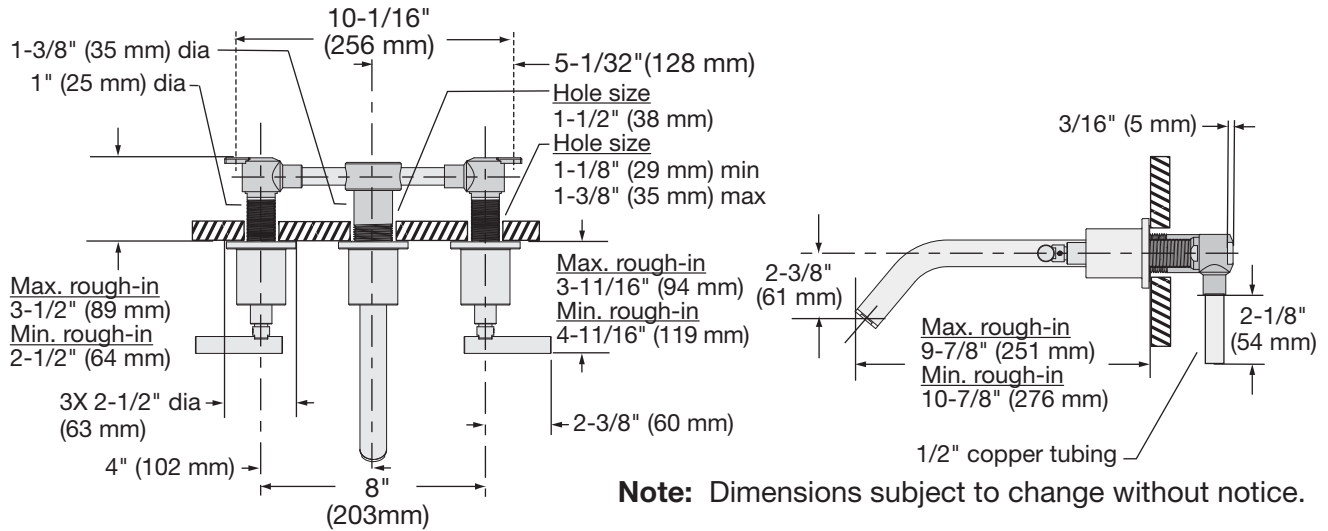
Contact Symmons customer service at
P: (800) 796-6667, F: (800) 961-9621
Email: gethelp@symmons.com
Monday - Friday 7:30 am - 7:00 pm EST

Please check Symmons website for technical help, the latest product information and warranty policy.
www.symmons.com/service

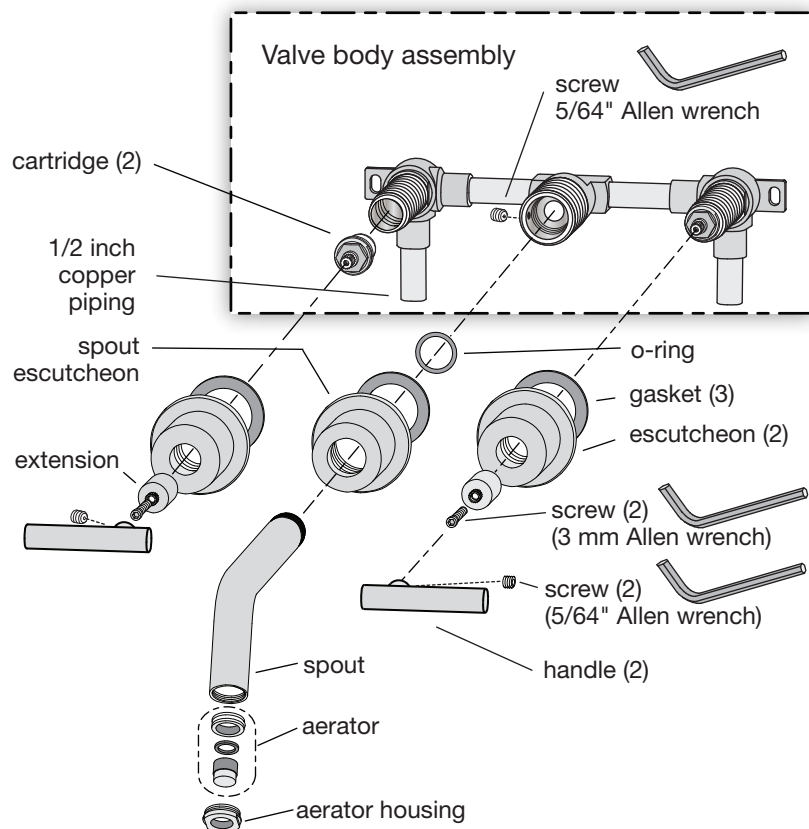
Visual Install Guide Sereno Wall Mounted Lavatory Faucet, SWM-4310



Dimensions Sereno Wall-Mounted Lavatory Faucet, SWM-4310



Parts Assembly Sereno Wall-Mounted Lavatory Faucet, SWM-4310



Replacement Parts	
Part Number	Item
LN-233-ASB (hot or cold)	handle assembly, qty 1 handle screw
KN-114 (hot) OFF = CW KN-113 (cold) OFF = CCW	KN-113 identified by groove valve cartridge
LN-746	aerator flow rate 1.5 gpm (5.7L/min) aerator
RL-216 RL-216-1.5 RL-216-1.0	spout aerator & aerator housing

* Note: When ordering parts for products with an optional decorative finish, append appropriate three letter finish suffix code to part numbers marked with an asterisk (*).

Ordering replacement parts:

Call Symmons customer service at (800) 796-6667, (781) 848-2250 M-F 8:00 am - 7:30 pm EST. Check our website at www.symmons.com for a list of Symmons distributors.

For California Residents

WARNING: This product contains chemicals known to the State of California to cause cancer, birth defects, or other reproductive harm.