



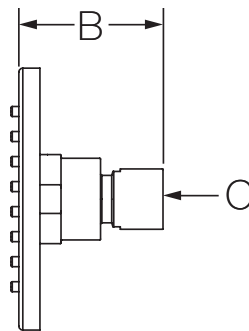
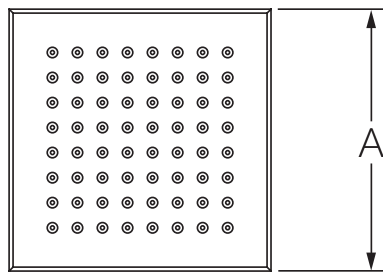
361SH, 362SH  
Showerhead Series  
**Operation & Maintenance Manual**

Model Number	Specification
<input type="checkbox"/> <b>361SH</b> 4" 1 Mode Showerhead <input type="checkbox"/> <b>362SH</b> 3" 1 Mode Showerhead	<ul style="list-style-type: none"> <li>• 4" 1 mode showerhead (361SH)</li> <li>• 3" 1 mode showerhead (362SH)</li> <li>• Easy to clean rubber nozzles</li> <li>• 2.5 gpm (9.5 L/min) standard flow restrictor</li> <li>• Plated in standard polished chrome finish</li> </ul>
Modifications	Compliance
<input type="checkbox"/> <b>-1.5</b> 1.5 gpm (5.7 L/min) flow restrictor <input type="checkbox"/> <b>-2.0</b> 2.0 gpm (7.6 L/min) flow restrictor <input type="checkbox"/> <b>-BBZ</b> Brushed Bronze finish <input type="checkbox"/> <b>-MB</b> Matte Black finish <input type="checkbox"/> <b>-STN</b> Satin Nickel finish	- ASME A112.18.1/CSA B125.1 - WaterSense 1.5 gpm, 2.0 gpm 
	Warranty
	<p><b>Limited Lifetime</b> - to the original end purchaser in consumer installations.  <b>5 Years</b> - for commercial installations.            Refer to <a href="http://www.symmons.com/warranty">www.symmons.com/warranty</a> for complete warranty information.</p>

**Note:** Append appropriate -suffix to model number.

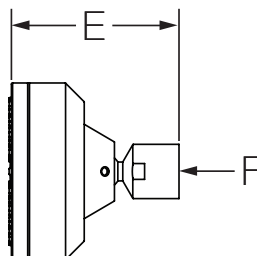
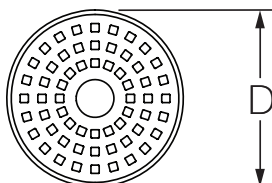
**Dimensions**

**361SH**



Measurements	
A	Sq. 4", 102 mm
B	2-1/8", 54 mm
C	1/2-14 NPT
D	3-1/2", 89 mm
E	3-1/2", 89 mm
F	1/2-14 NPT

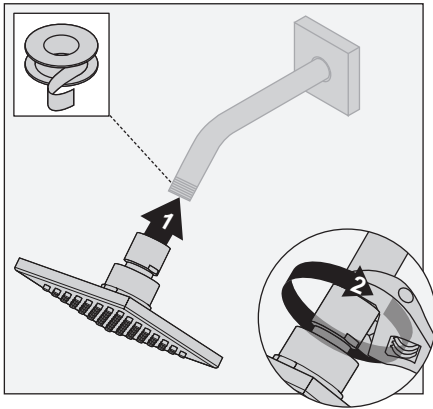
**362SH**



**Note:** Dimensions subject to change without notice.

## Installation

- 1) Install showerhead to shower arm (not included) turning clockwise to tighten.



### Tools Required

Plumber Tape



## Care and Cleaning

- 1) Clean finished trim area with a soft cloth using mild soap and water or a non-abrasive cleaner and then quickly rinse with water.

## Troubleshooting Chart

Problem	Cause	Solution
Finish is spotting.	Elements in water supply may cause water staining on finish.	Clean finished trim area with a soft cloth using mild soap and water or a non-abrasive cleaner and then quickly rinse with water.
Showerhead is leaking from shower arm when valve is in "on" position.	Coupling connecting showerhead to shower arm is cracked or washer inside coupling is worn.	Inspect coupling and washer and replace showerhead if necessary.

**⚠ WARNING:** This product can expose you to chemicals including lead, which is known to the state of California to cause cancer, birth defects, or other reproductive harm. For more information, go to [www.P65Warnings.ca.gov](http://www.P65Warnings.ca.gov).