



# SYMMONS® Elm®

## Towel Ring 553TR

### Specification Submittal



#### Model Number

- 553TR Towel Ring

#### Feature Highlights

- Metal construction
- Standard finish is polished chrome

#### Finish Options

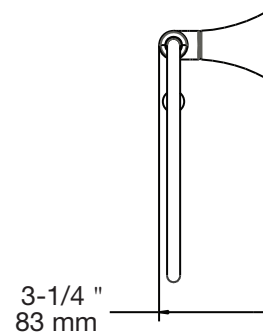
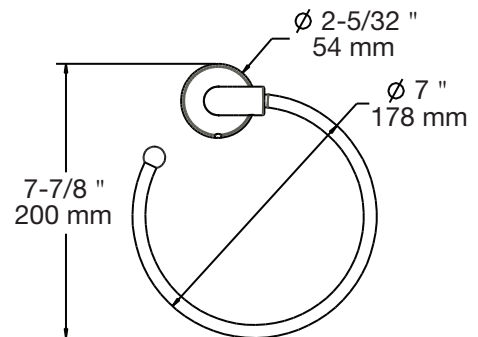
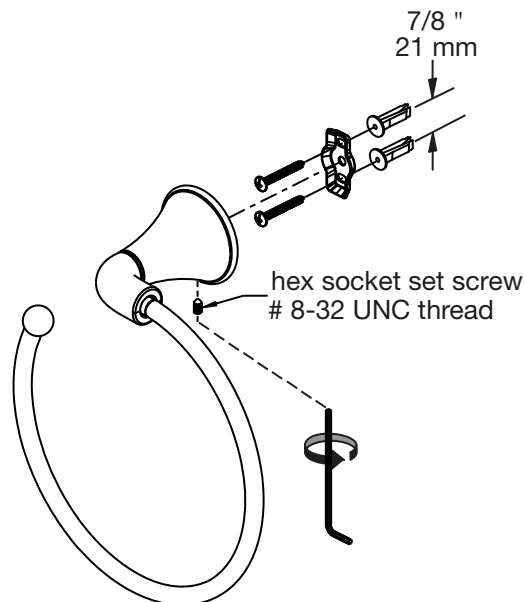
*Append appropriate -suffix to model number.*

- STN Satin Nickel finish
- SBZ Seasoned Bronze finish
- Chrome finish (standard finish)

#### Warranty

- Limited Lifetime - to the original end purchaser in residential/consumer installations
- 5 years - for commercial installations

#### Dimensions *Elm Towel Ring, 553TR*



**Note:** Dimensions subject to change without notice.

Symmons Industries, Inc. ■ 31 Brooks Drive ■ Braintree, MA 02184  
Phone: (800) 796-6667 ■ Fax: (800) 961-9621  
Website: [symmons.com](http://symmons.com) ■ Email: [gethelp@symmons.com](mailto:gethelp@symmons.com)

Copyright © 2017 Symmons Industries, Inc. ■ ZV-748 REV A ■ 062117



**SYMMONS®**  
the smart choice™