

Location:



Hand Towel Ring 543TR Specification Submittal

Model Numbers

- 543TR Hand Towel Ring

Feature Highlights

- Metal construction
- Mounting hardware included
- Standard finish is polished chrome

Finish Options / Modifications

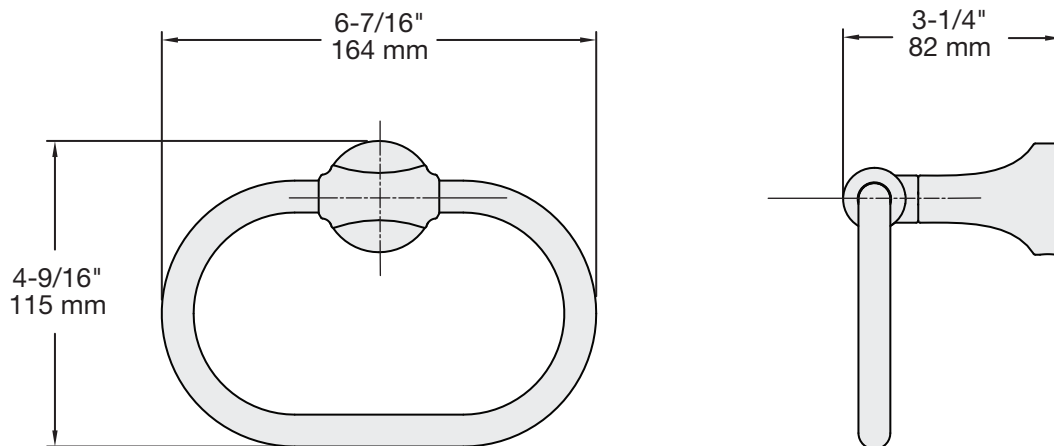
Append appropriate -suffix to model number

- STN Satin Nickel
- ORB Oil Rubbed Bronze
- Polished Chrome (standard finish)

Warranty

- Limited Lifetime - to the original end purchaser in residential/consumer installations.
- 5 years - for commercial installations

Dimensions *Degas Hand Towel Ring 543TR*



Note: Dimensions subject to change without notice