



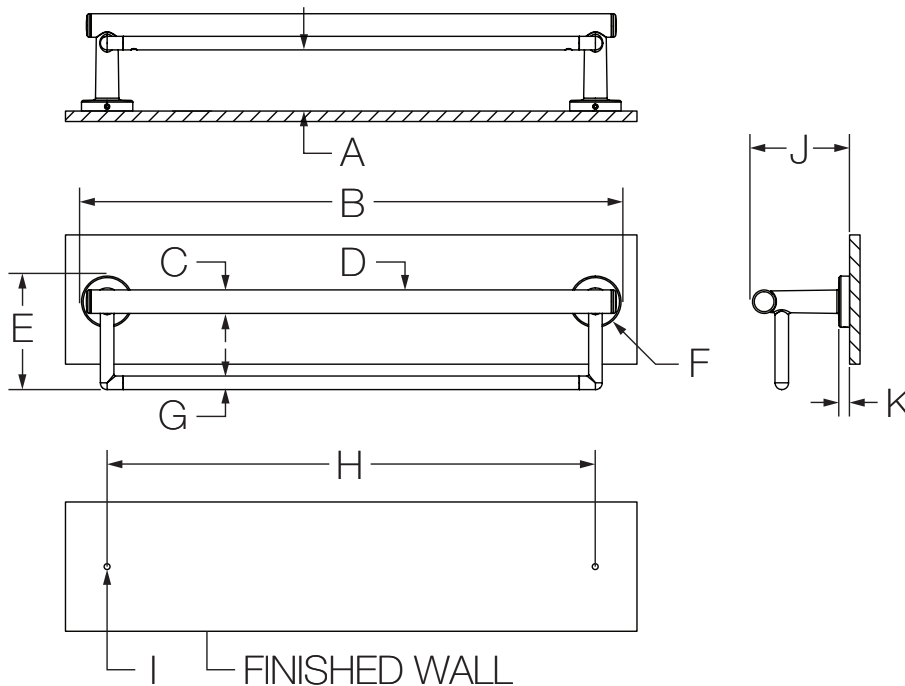
Location:



353GBTB-18, 353GBTB-24
 ADA Towel Bar with Assist Bar
Specification Submittal

Model Numbers	Feature Highlights
<input type="checkbox"/> 353GBTB-18 18" Towel Bar with Assist Bar <input type="checkbox"/> 353GBTB-24 24" Towel Bar with Assist Bar	<ul style="list-style-type: none"> • Supports up to 250 lbs. as an assist bar • 18"/24" bar length • 7/8" bar diameter • 1-7/8" flange diameter • Bar extends 2-1/4" from wall • Concealed mounting for a clean look • Mounting hardware and mounting plate included • Metal construction in standard polished chrome finish • Winglts compatible
Finish Options	Warranty
<input type="checkbox"/> -STN Satin Nickel finish Note: Append appropriate -suffix to model number.	Limited Lifetime - to the original end purchaser in consumer/residential installations. 5 Years - for industrial/commercial installations. Refer to www.symmons.com/warranty for complete warranty information.

Dimensions



Measurements	
A	2-1/4", 57 mm
B	19-7/8", 505 mm (353GBTB-18) 25-7/8", 657 mm (353GBTB-24)
C	Ø 7/8", 22 mm
D	Load bearing surface supports up to 250 lbs. as an assist bar
E	4-3/16", 106 mm
F	(2x) Ø 1-7/8", 48 mm
G	1/2", 13 mm
H	18", 457 mm (353GBTB-18) 24", 610 mm (353GBTB-24)
I	(2x) Hole Size Ø 7/64", 3 mm
J	3-3/8", 86 mm
K	3/8", 10 mm

Note: Dimensions subject to change without notice.