

## Pressure Balance Valve Trim - Square

### FEATURES

- Clean & simple design trim made of durable brass in a reflective chrome finish
- Lever handle
- ADA Compliant
- For use with Pressure Balance Valve model TSPTM

### COLORS/FINISHES

- #CP Polished Chrome
- #BN Brushed Nickel
- #PN Polished Nickel

### CODES/STANDARDS

- Meets or exceeds ASME A112.18.1/CSA B125.1
- Certifications: IAPMO(cUPC), State of Massachusetts, City of Los Angeles, and others
- Code compliance: UPC, IPC, NSPC, NPC Canada, and others
- ADA compliant



### PRODUCT SPECIFICATION

Pressure balance valve trim shall have a lever handle. Product shall be TOTO Model TBV02801U and required valve shall be TSPTM (sold separately).

### OPTIONAL ACCESSORIES

- THP5108 - Extension Kit Oberon

# TBV02801U

## Pressure Balance Valve Trim - Square

### SPECIFICATIONS

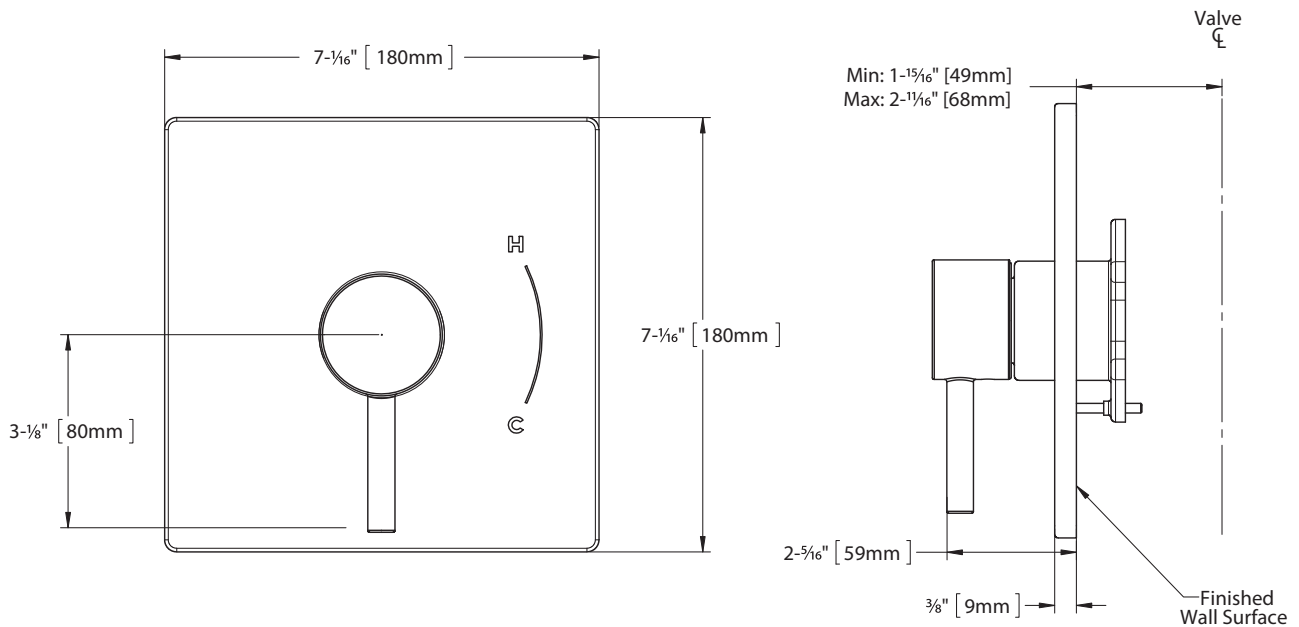
<b>Material</b>	Brass & Zinc
<b>Warranty</b>	Limited Lifetime for Residential Use One Year for Commercial Use
<b>Shipping Weight</b>	3 lbs
<b>Shipping Dimensions</b>	8-1/2"L x 7-1/2"W x 5-1/2"H

### INSTALLATION NOTES

VALVE REQUIRED: Pressure balancing valve model TSPTM (sold separately).

### DIMENSIONS

#### TBV02801U



**TOTO**