



T&S BRASS AND BRONZE WORKS, INC.
 2 Saddleback Cove / P.O. Box 1088
 Travelers Rest, SC 29690

Model No.
002848-40

Item No.

Travelers Rest, SC: 800-476-4103 • Simi Valley, CA: 800-423-0150 • Fax: 864-834-3518 • www.tsbrass.com

This Space for Architect/Engineer Approval

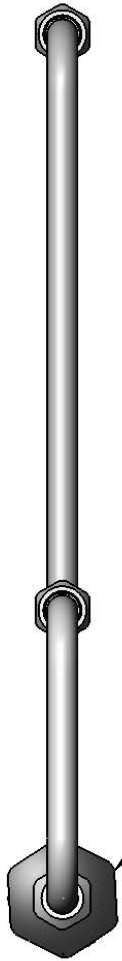
Job Name _____ Date _____

Model Specified _____ Quantity _____

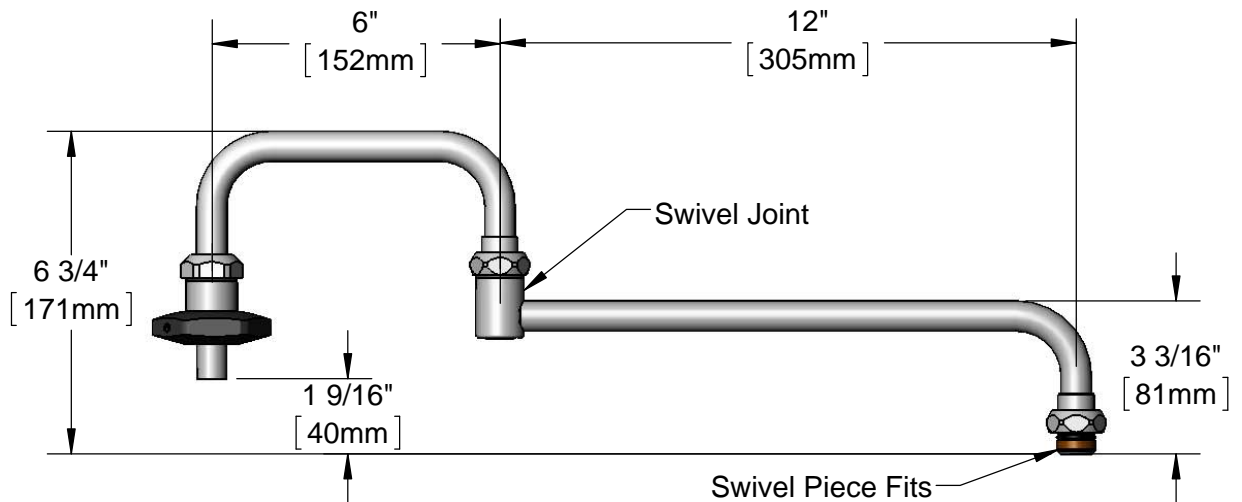
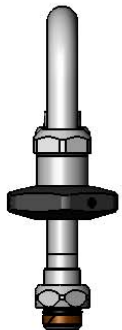
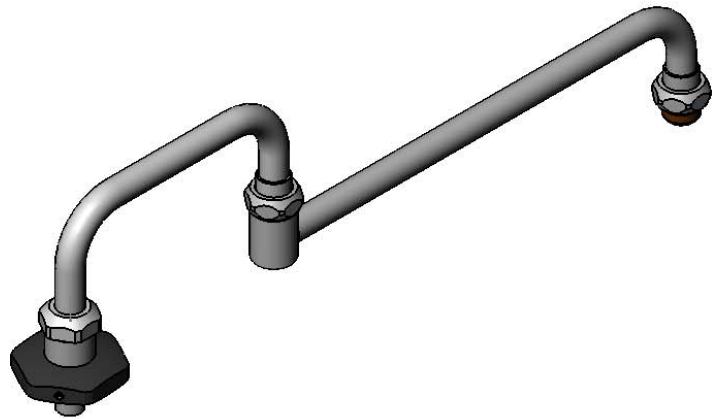
Customer/Wholesaler _____

Contractor _____

Architect/Engineer _____



Heat Resistant Handle



Swivel Piece Fits
 All Standard T&S
 Swivel Outlets

Product Specifications:
 18" Swing Nozzle w/ Heat Resistant Handle, 12" Back Section and 6" Front Section

Product Compliance:
 ASME A112.18.1 / CSA B125.1
 NSF 61 - Section 9
 NSF 372 (Low Lead Content)



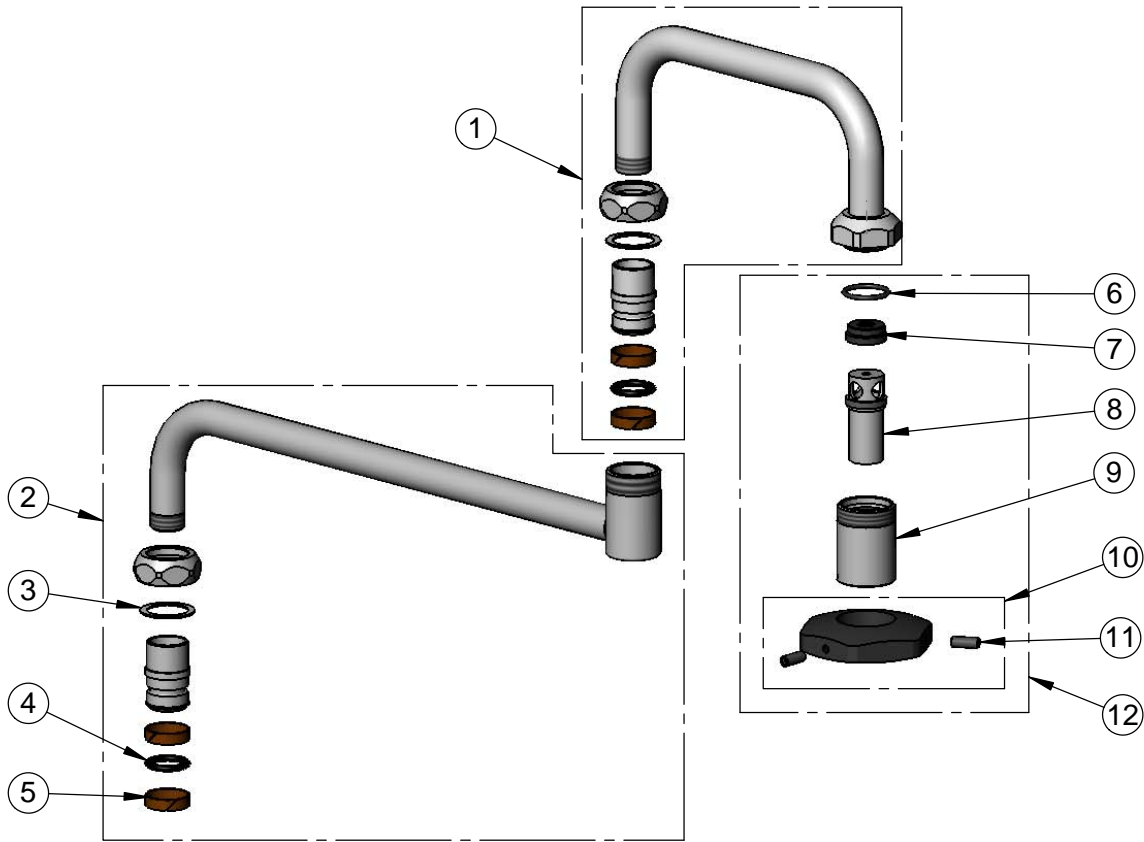
T&S BRASS AND BRONZE WORKS, INC.
 2 Saddleback Cove / P.O. Box 1088
 Travelers Rest, SC 29690

Model No.
002848-40

Item No.

Travelers Rest, SC: 800-476-4103 • Simi Valley, CA: 800-423-0150 • Fax: 864-834-3518 • www.tsbrass.com

ITEM NO.	SALES NO.	DESCRIPTION
1	002870-40	6" Front Section
2	002871-40	12" Back Section
3	009538-45	Swivel Washer
4	001074-45	O-Ring
5	011429-45	Swivel Sleeves (2)
6	003426-45	O-Ring
7	001089-45	Seal
8	001498-25	Spout
9	000587-25	Spout Body
10	001126-20	Handle w/ (2) Set Screws
11	000936-45	Handle Set Screw
12	035A	Outlet



Product Specifications:
 18" Swing Nozzle w/ Heat Resistant Handle, 12" Back Section and 6" Front Section

Product Compliance:
 ASME A112.18.1 / CSA B125.1
 NSF 61 - Section 9
 NSF 372 (Low Lead Content)