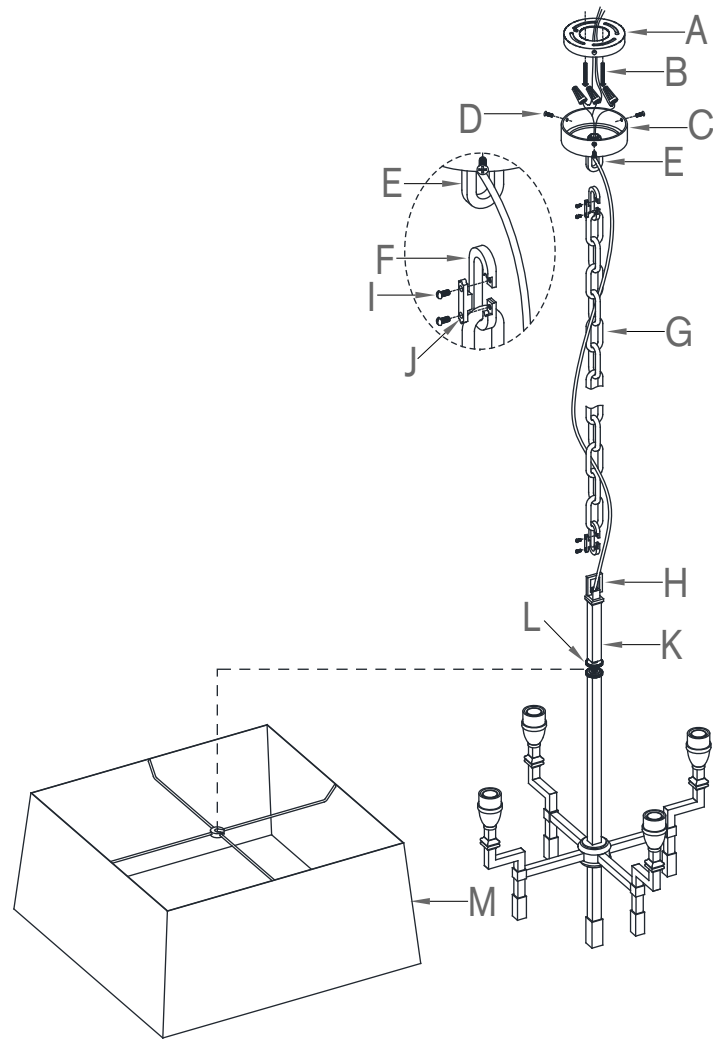


ASSEMBLY INSTRUCTIONS



Jane Medium Hanging Shade Item # AH 5305

WE RECOMMEND INSTALLATION OF THIS LIGHTING FIXTURE BE DONE BY A LICENSED ELECTRICIAN.

WARNING * SWITCH OFF THE MAIN ELECTRICAL SUPPLY FROM THE MAIN FUSE BOX/CIRCUIT BREAKER BEFORE INSTALLATION.**

INSPECT ITEM CAREFULLY BEFORE ATTEMPTING TO INSTALL. IF THERE IS ANY DAMAGE OR OBVIOUS DEFECT, DO NOT INSTALL.

ITEM MAY NOT BE RETURNED ONCE IT HAS BEEN INSTALLED.

1. Carefully remove all parts from the carton.
2. Attach shade (M) to stem (K), slide shade spider on threaded section under washer (L). And secure by turning washer (L) in clockwise direction.
3. Remove the metal covers (J) from closable links (F) by remove set screws (I), attach one of closable link (F) with hanging loop (H) together, the other closable link (F) with mounting loop (E) together and secure by replacing metal covers (J) to closable links . Tighten with set screws (I).
4. Feed the wires through the chain (G) and come out from canopy (C).
5. Remove mounting plate (A) from canopy (C) by removing side screws (D) in counter-clockwise direction.
6. Affix mounting plate (A) to ceiling outlet box with mounting screws (B) provided.
7. Connect ground wire from the light fixture (bare copper) to ground wire (green or copper in color), fasten together with a plastic wire connector. Tightly wrap the wire from ceiling outlet box with electrical tape. so the end of the connector is sealed. **IT IS IMPERATIVE THAT THE OUTLET BOX IN YOUR HOME BE PROPERLY GROUNDED.**
8. Connect the hot wires (smooth wires) from the light fixture to the hot junction box wire from ceiling outle box (usually black). Fasten together with a plastic wire connector provided and tightly wrap wire connector with electrical tape.
9. Repeat the procedure with neutral wires (ribbed wire) from the light fixture to the wire from ceiling outlet box (usually white). **DO NOT REVERSE THE HOT AND NEUTRAL CONNECTIONS OTHERWISE SAFETY WILL BE COMPROMISED.**
10. Attach canopy (C) to the affixed mounting plate (A) and tighten with side screws (D).
11. Insert light bulbs (not included) into sockets.
12. Installation is complete. Restore power and test fixture.

*** Clean with a dry, soft cloth only. Use no harsh abrasives or chemical agents.