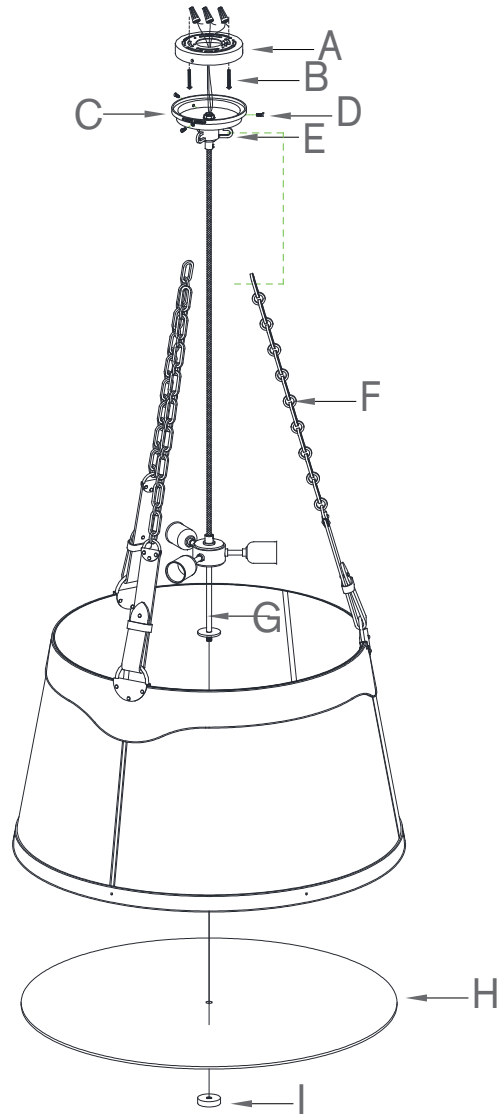


## ASSEMBLY INSTRUCTIONS



## Karlie Large Hanging Shade

Item # RL 5532

### NOTICE:

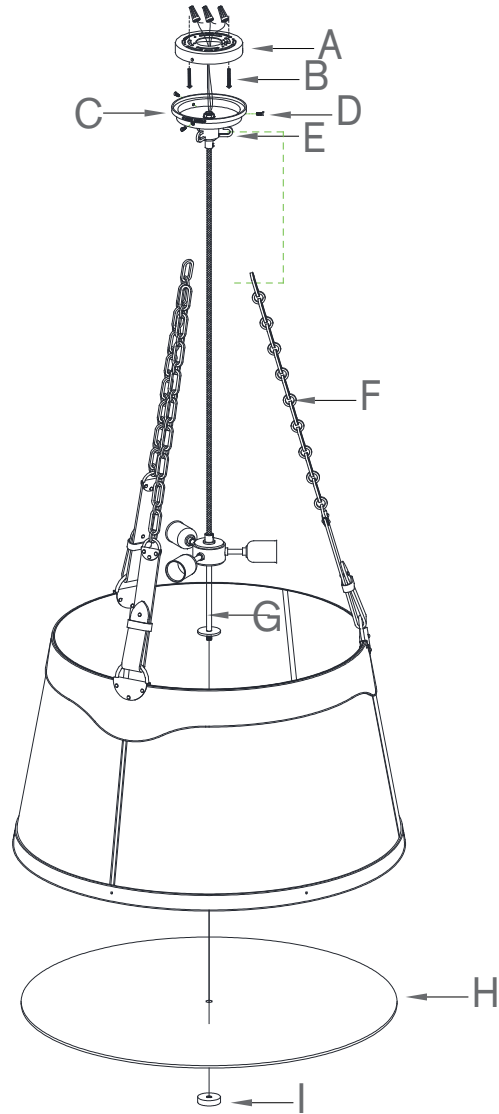
This light fixture should be installed in accordance with all applicable, local installation codes, and by a person familiar with the construction and operation of it, as well as the hazards involved. Inspect item and contents carefully. If any damage or defect is found, do not install. Retain all packaging material until installation is complete and approved.

1. Carefully remove all parts from the carton.
2. Remove mounting plate (A) from canopy (C) by removing canopy screws (D) in counter-clockwise direction.
3. Affix mounting plate (A) to ceiling outlet box with mounting screws (B) provided.
4. Hook the chains (F) to the hook racks (E) under the canopy (C).
5. Attach the bare copper ground from the fixture to the ground junction box wire (usually green or copper), fasten together with a plastic wire connector. Tightly wrap the wire connector with electrical tape. Be sure no wire strands are exposed. **IT IS IMPERATIVE THAT THE OUTLET BOX IN YOUR HOME BE PROPERLY GROUNDED.**
6. Connect neutral wire from fixture (ribbed molded wire) to the neutral wire from the junction box (usually white). Fasten both wires together with a plastic wire connector and tightly wrap the wire connector with electrical tape. Be sure no wire strands are exposed.
7. Connect the hot wires from the fixture (smooth wire) to the hot wire (usually black) from the junction box. Fasten both wires together with a plastic wire connector and wrap the connection with electrical tape. **DO NOT REVERSE THE HOT AND NEUTRAL CONNECTIONS OTHERWISE SAFETY WILL BE COMPROMISED.**
8. Tuck the wire connections neatly into the ceiling outlet box.
9. Attach canopy (C) to affixed mounting plate (A) and secure with canopy screws (D).

# RALPH LAUREN



## ASSEMBLY INSTRUCTIONS



## Karlie Large Hanging Shade

Item # RL 5532

### NOTICE:

This light fixture should be installed in accordance with all applicable, local installation codes, and by a person familiar with the construction and operation of it, as well as the hazards involved. Inspect item and contents carefully. If any damage or defect is found, do not install. Retain all packaging material until installation is complete and approved.

10. Remove finial (I) from rod (G), attach diffuser (H) to the threaded section of rod (G) and secure with finial (I).
11. Insert light bulbs into sockets.
12. Installation is complete. Restore power and test fixture.

**Care Instructions:** Clean only with a soft dry cloth or feather duster. Do not use abrasive or chemical agents.

# RALPH LAUREN

