

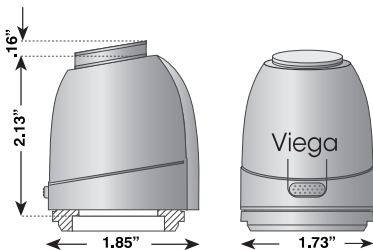
# Product Instructions

**viega**

## Powerhead for Stainless Manifold (24V 2-wire)



### Dimensions



### Applications

The Powerhead 15061 is a two position actuator for zone control which mounts on the return valve of the Stainless Manifold. A 24 V signal actuates the head to open the valve. The position of the valve is normally closed.

The Powerhead may be used on both 1-1/4" Stainless Shut Off/Balancing and Stainless Shut Off/ Balancing/Flow Meter Manifolds. These Powerheads will not fit 1" Brass Manifolds.

### Features

- White in color, Viega logo on front
- Normally closed
- Water resistant
- All around function indicator
- 360° installation position
- Snap-on installation
- Valve adapter concept
- Initially-Open function
- 3.2 ft. connecting wire
- May be installed in any position

### Specifications

- Voltage: 24V
- Max Inrush Current: 250 mA for 2 minutes maximum
- Operating Current: 75 mA
- Closing/Opening Time: Approximately 3 minutes
- Stroke: 4 mm
- Actuating Force: 21lbs.
- Weight: 3.5 oz.
- Fluid Temperature: 32°F - 212°F

### Installation

Remove plastic cap from return valve.

1. Thread on valve adapter hand tight. Do not use wrench or pliers.
2. Once valve adapter is screwed on, simply snap the powerhead on to the valve adapter. No tools required.

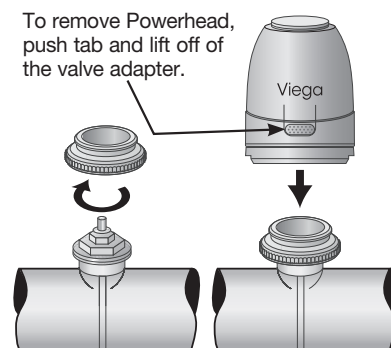
### ON/OFF Indicator

The Powerhead for the Stainless Manifold has a cylinder on the top that will raise and expose blue when the valve is open. You will be unable to see any blue when the valve is in its normal closed position.

### Initially-Open Function

The Powerhead is delivered in the open position. This allows for easier installations and also allows for the installer to pressure and flow test each circuit before connecting the power.

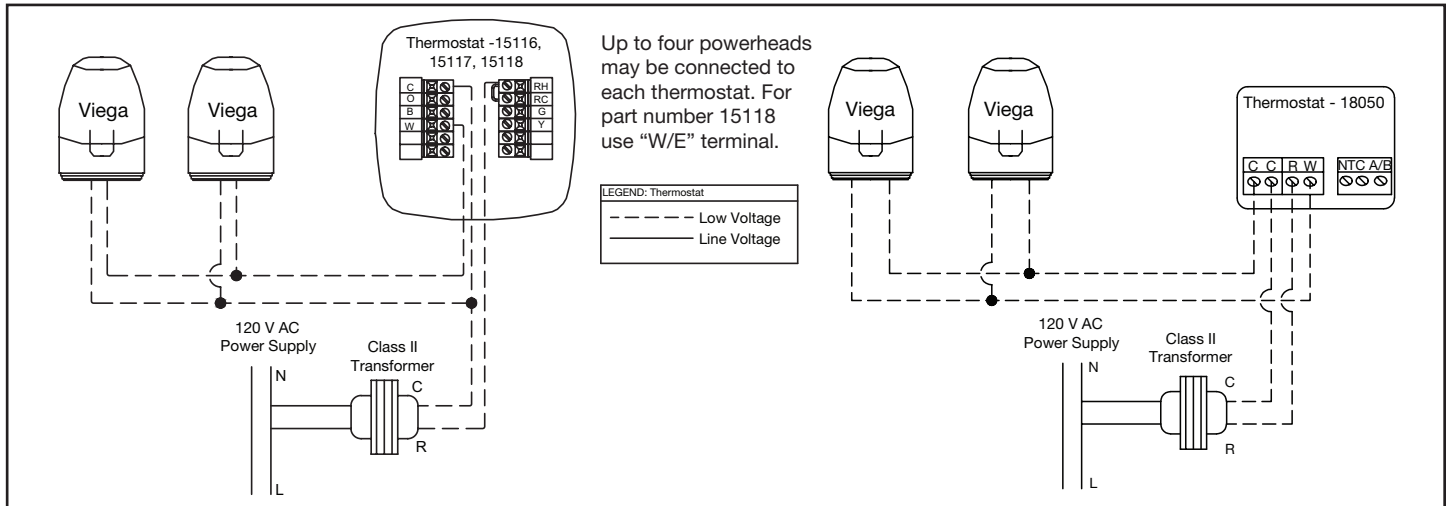
This function is disengaged automatically after the first 6 minutes of powered use.



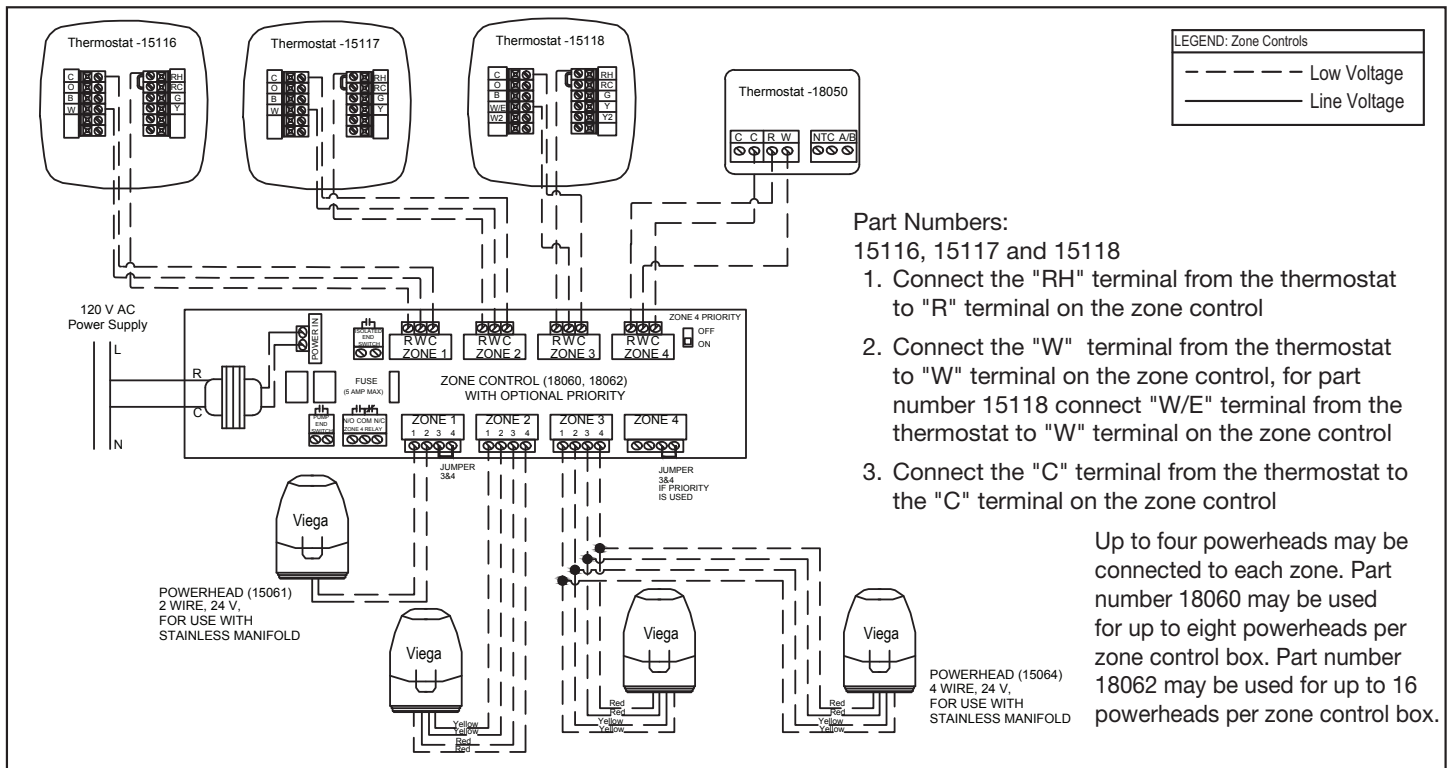
# Product Instructions



## Wiring Schematic – Thermostat with Powerheads



## Wiring Schematic – Thermostat and Powerheads with Zone Control



This document subject to updates. For the most current Viega technical literature please visit [www.viega.us](http://www.viega.us).  
 Click Services -> Click Electronic Literature Downloads -> Select Product Line -> Select Desired Document

Para ver las instrucciones en español visite [www.viega.us](http://www.viega.us) -> Services -> Electronic Literature Downloads -> French and Spanish Documents -> Documento Deseado

Pour obtenir des instructions en français visite [www.viega.us](http://www.viega.us) -> Services -> Electronic Literature Downloads -> French and Spanish Documents -> Document Désiré

Viega LLC, 301 N. Main, 9th Floor • Wichita, KS 67202 • Ph: 800-976-9819 • Fax: 316-425-7618