



# Freezeless Yard Hydrant Model R34

The Woodford R34 freezeless yard hydrant is intended for irrigation purposes and offers immediate water flow even in sub-zero temperatures. The R34 can be used for many applications such as filling field spray equipment, cleaning equipment or tools, livestock watering, garden and lawn care. The shut-off valve for the hydrant is below the frost line when installed properly, which allows the water in the standpipe to drain out a hole in the valve body. When the hydrant is shut-off, and all devices removed from nozzle, the hydrant will drain and not freeze.

## FEATURES:

**Head & Handle:** Ductile iron

**All Metal Construction:** No plastic components

**Packing:** Graphite for lubricity and long life

**Valve Seat:** Permanent brass valve body with large hemispherical seating surface.

**Operation:** 90° handle lift for full on

**Nozzle:** 3/4" brass hose nozzle

**Casing:** 1" Galvanized steel pipe

**Operating Rod:** 3/8" Steel rod

**Drain Hole:** Tapped - 1/8" N.P.T.

**Adjustable Pivot Block:** Provides easy and positive adjustment of the lever lock in tension

**Tamperproof Lock:** Can be padlocked in closed position

**Inlet Specifications:** 3/4" FPT

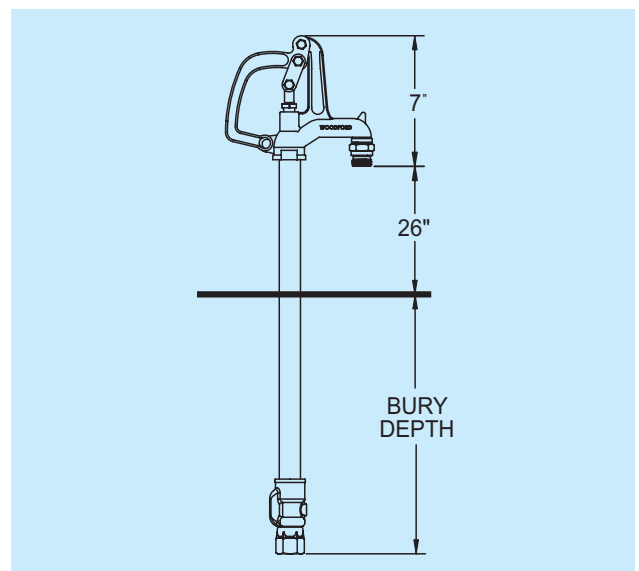
**MAX PRESSURE** - 125 p.s.i.

**MAX TEMPERATURE** - 120° F

## SHIPPING WEIGHT

| Bury Depth (Ft)    | 1   | 2    | 3    | 4    | 5    | 6    | 7    |
|--------------------|-----|------|------|------|------|------|------|
| Shipping Wt. (Lbs) | 9.2 | 11.3 | 13.4 | 15.5 | 17.6 | 19.7 | 21.8 |
| Overall Length     | 45" | 57"  | 69"  | 81"  | 93"  | 105" | 117" |

**For Installation / Troubleshooting Instructions go to  
[www.woodfordmfg.com](http://www.woodfordmfg.com) or call 1-800-621-6032**

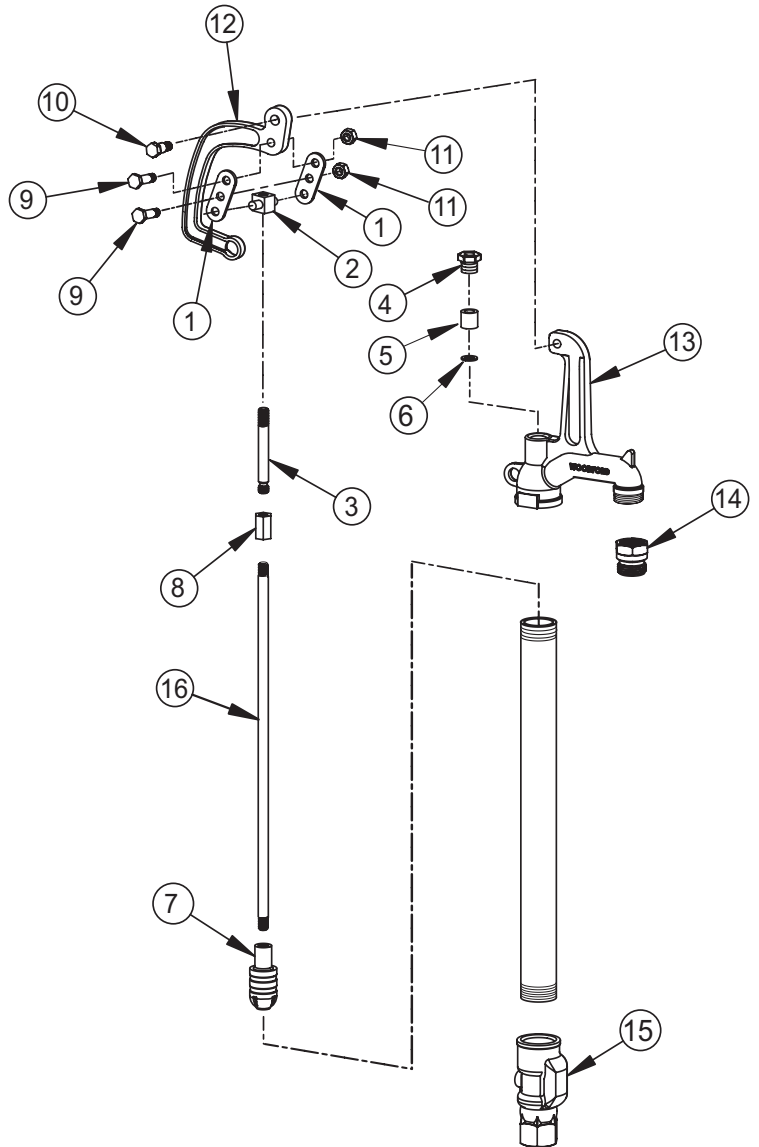


**When ordering, specify model and bury depth.**



### MODEL R34 PARTS LIST

| ITEM | PART#  | DESCRIPTION   |
|------|--------|---|
|      | 15246  | R34 Head & Nozzle Assembly<br>Includes items 13 & 14      |
|      | 15247  | R34 Head Assembly - Complete<br>Includes items 1-6 & 8-14 |
| 1    | 10620  | Link Plate (2)  |
| 2    | 10619  | Pivot Square  |
| 3    | 10588  | Rod Stem  |
| 4    | 10100  | Packing Nut   |
| 5    | 10101  | Packing   |
| 6    | 10102  | Packing Support Washer                                    |
| 7    | 10108  | Plunger   |
| 8    | 10481  | Coupling Nut  |
| 9    | 10589  | Link Bolt   |
| 10   | 10590  | Handle Shoulder Bolt                                      |
| 11   | 10206  | Hex Nut (2)   |
| 12   | 10587  | Handle  |
| 13   | 10586  | Head  |
| 14   | 10004  | 3/4" Brass Hose Nozzle                                    |
| 15   | 10018  | Valve Body  |
| 16   |        | Operating Rod   |
|      | 10591  | 1' Bury (35-15/16" Long)                                  |
|      | 10592  | 2' Bury (47-15/16" Long)                                  |
|      | 10593  | 3' Bury (59-15/16" Long)                                  |
|      | 10594  | 4' Bury (71-15/16" Long)                                  |
|      | 10595  | 5' Bury (83-15/16" Long)                                  |
|      | 10596  | 6' Bury (95-15/16" Long)                                  |
|      | 10600  | 7' Bury (107-15/16" Long)                                 |
|      | RK-R34 | Repair Kit (Includes items 1-7)                           |



For more information contact...

## WOODFORD MANUFACTURING COMPANY

2121 Waynoka Road, Colorado Springs, Colorado 80915 • Phone: (800) 621-6032 • Fax: (800) 765-4115  
To view our complete product line visit: [www.woodfordmfg.com](http://www.woodfordmfg.com) or email: [sales@woodfordmfg.com](mailto:sales@woodfordmfg.com)

A Division Of WCM Industries, Inc.