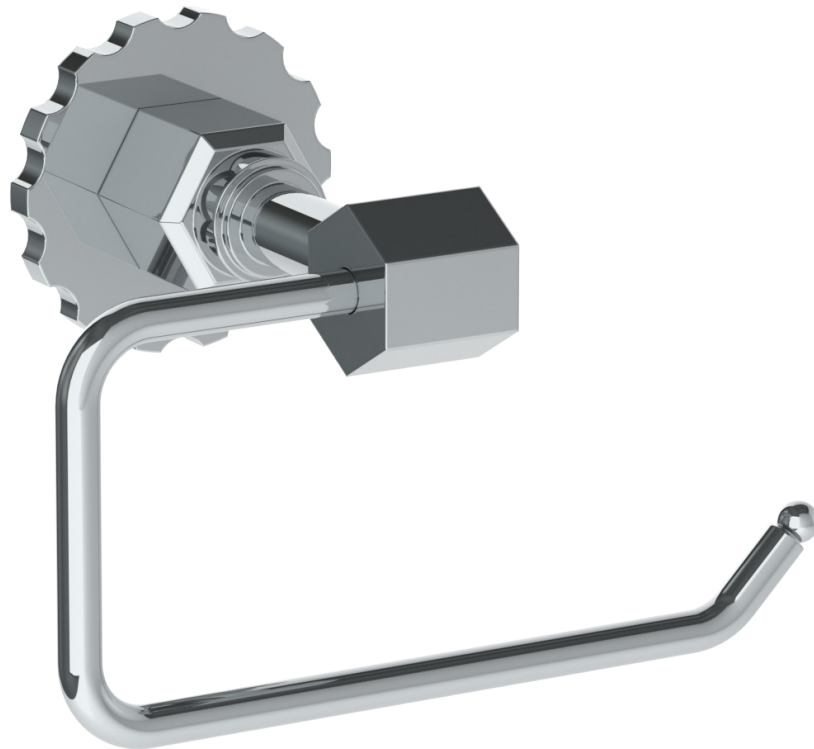


INSTALLATION INSTRUCTIONS FOR 133-0.4.1 JAMES SERIES TOILET PAPER HOLDER

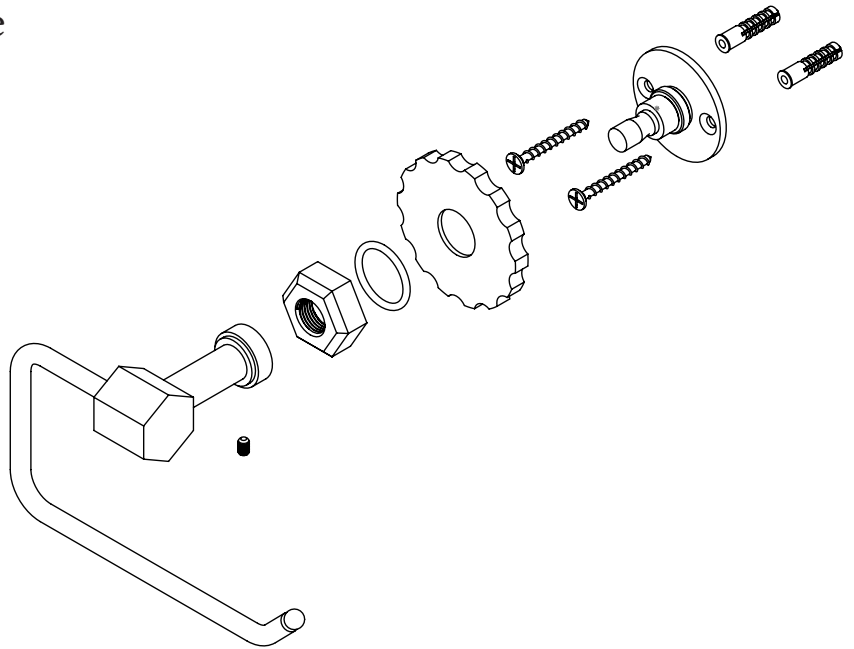


Instructions

STEP 1:

Disassemble the product down to the components shown here:

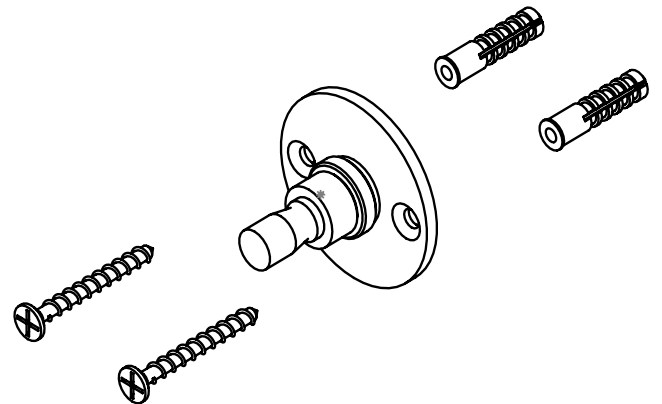
None of the components should require excessive force to take apart.



STEP 2:

Determine the location for the screws using the mounting base. Pre-drill holes in the wall for the wall anchors.

Install the wall anchors, then fix the mounting base to the wall with the wood screws.

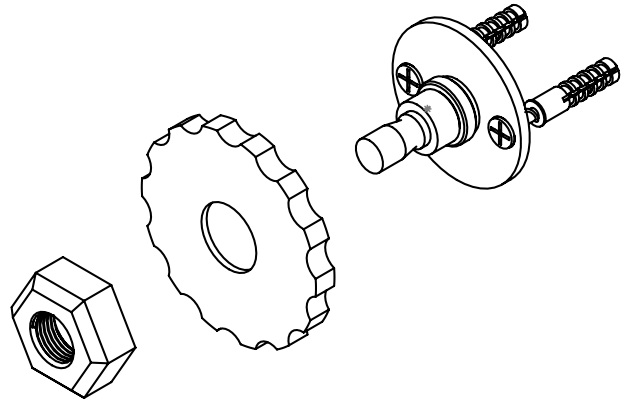


Instructions

STEP 3:

Place the flange on top of the mounting base.

Screw the escutcheon onto the threaded part of the mounting base, securing the flange. Do not forget to include the o-ring under the escutcheon.



STEP 4:

Reattach the hook assembly. Insert and tighten the set screw to secure the hook.

