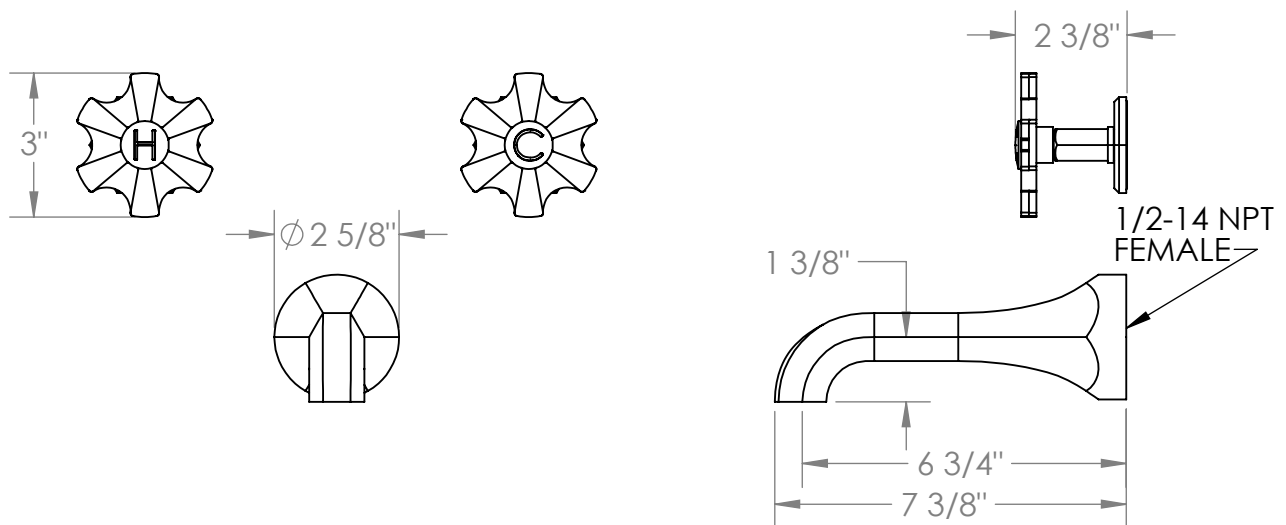


133-5-JA6

Wall Mounted 3 Hole Bath Set

Requires SS-506 or SS-THV2.2-26C concealed rough

Note: Some building codes may require a remote pressure balance valve for anti-scald



Meets the applicable requirements of ASME A12.18.1-2005/CSA B125.1-05, entitled "Plumbing Supply Fittings"

WATERMARK DESIGNS 7/27/2020

350 Dewitt Ave Brooklyn NY 11207 USA T 718 257 2800 F 718 257 2144 info@watermark-designs.com