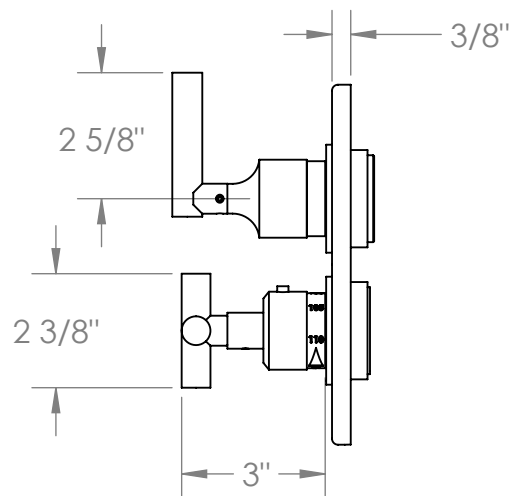
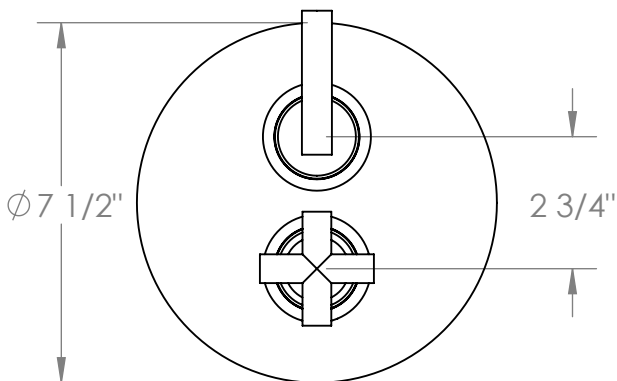
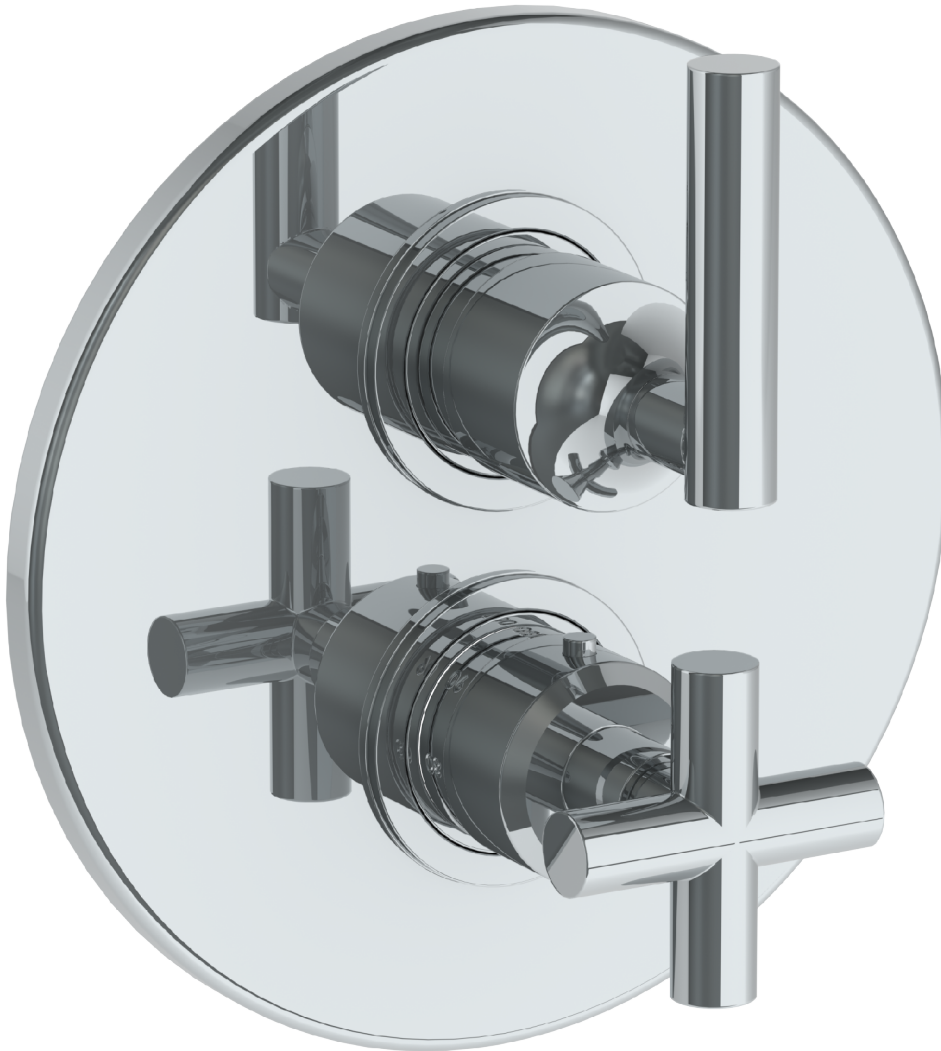


# 23-T20-L9-L8

Trim Kit Only for Thermostatic Valve w/ Built-In Control



Meets the applicable requirements of ASME A112.18.1-2005/CSA B125.1-05, entitled "Plumbing Supply Fittings"