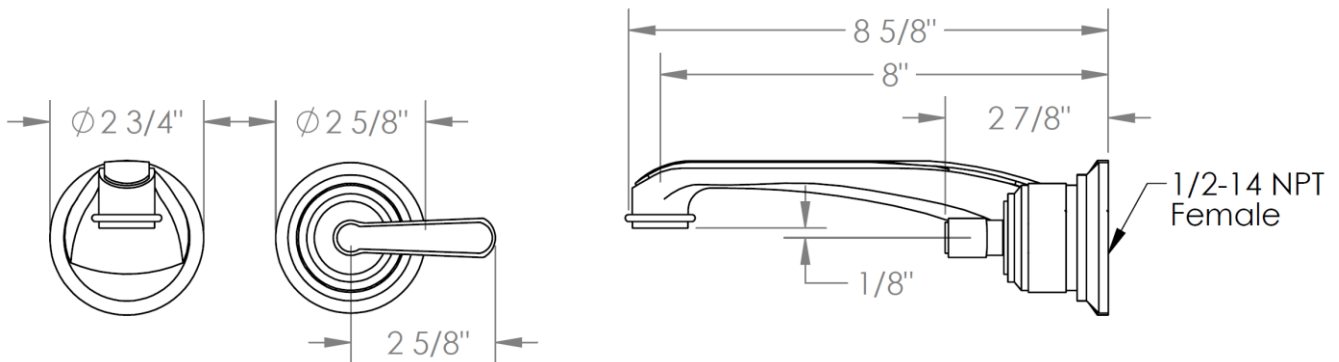


29-1.2-__

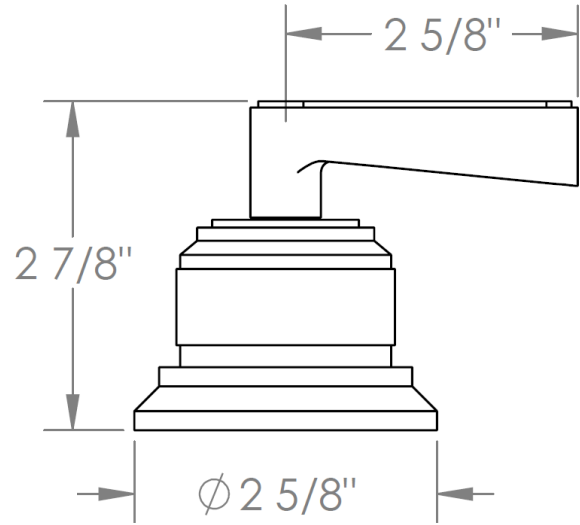
Wall Mounted 2 Hole Lavatory Set
Requires SS-SHV1.2 concealed rough
Flow Rate: 1.2 GPM



Meets the applicable requirements of ASME A112.18.1-2005/CSA B125.1-05, entitled "Plumbing Supply Fittings"

HANDLE TRIM OPTIONS

TR14 - BEEKMAN



TR15 - GOTHAM

