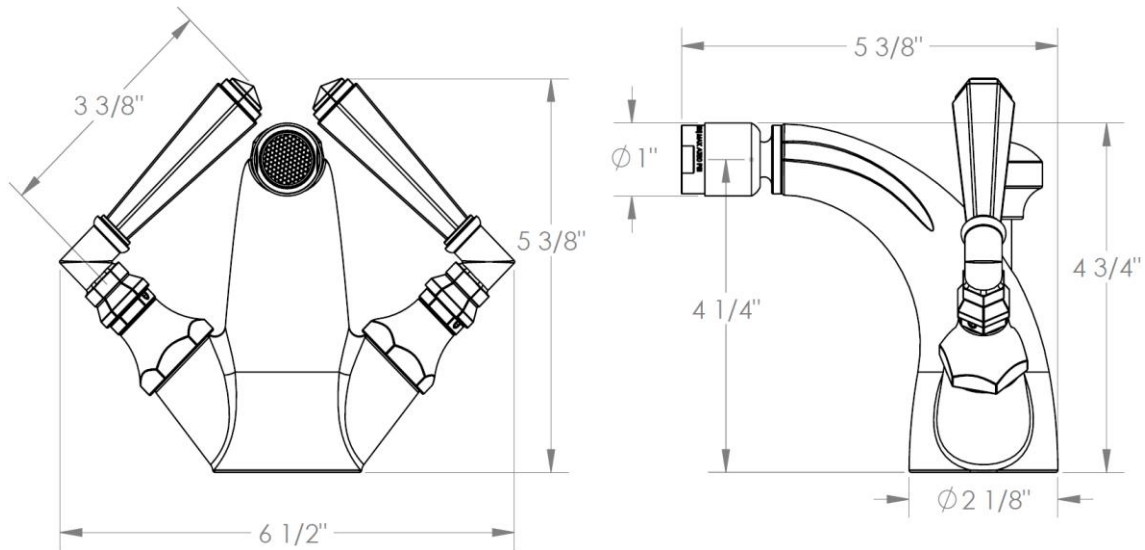


312-4.1-Y
Single Hole Bidet



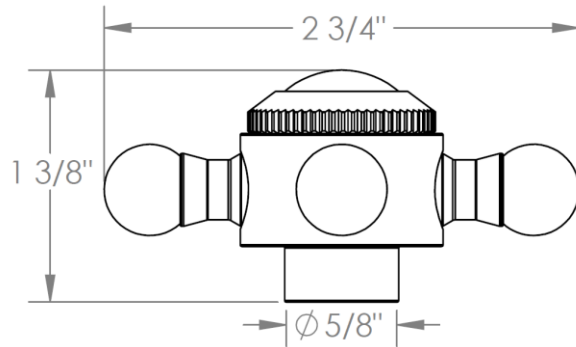
Meets the applicable requirements of ASME A112.18.1-2005/CSA B125.1-05, entitled "Plumbing Supply Fittings"

WATERMARK DESIGNS 4/8/2015

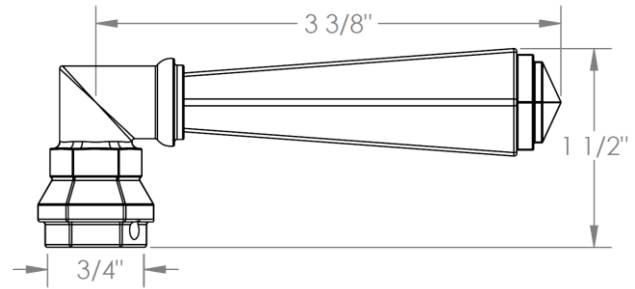
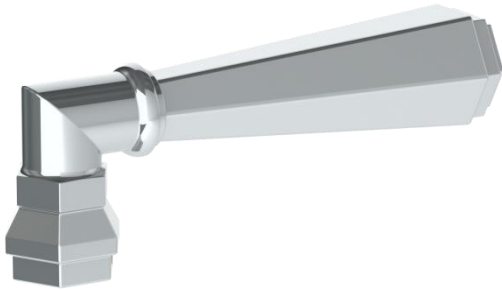
350 Dewitt Ave Brooklyn NY 11207 USA T 718 257 2800 F 718 257 2144 info@watermark-designs.com

Gramercy Handle Options

X – OXFORD & V – WALES



Y – LYONS



Y2 – WILLIAMS

