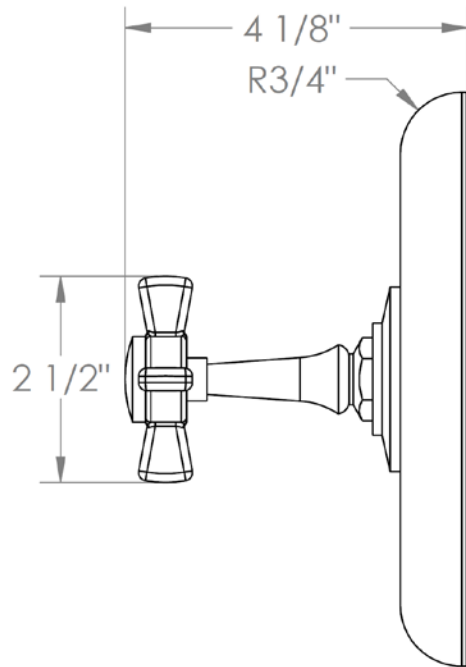
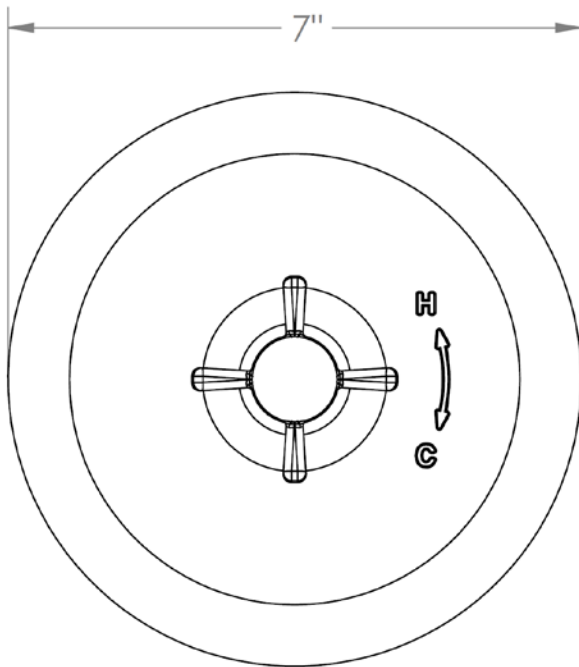


**34-P80-B9M**

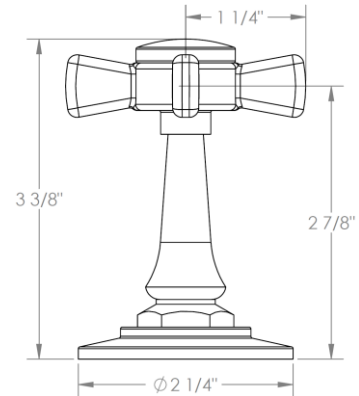
Wall Mounted Pressure Balance Trim  
For use with SS-PB75 pressure balance valve



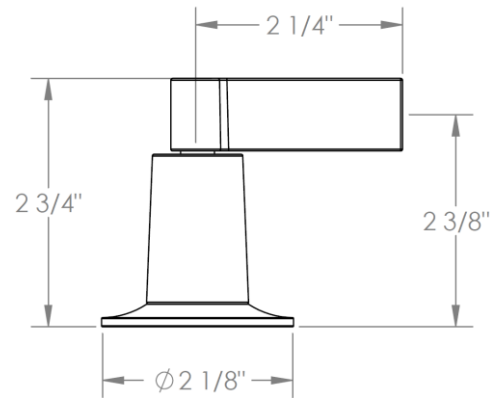
**WATERMARK** DESIGNS 4/4/2018

## Haley Handle Trim Options

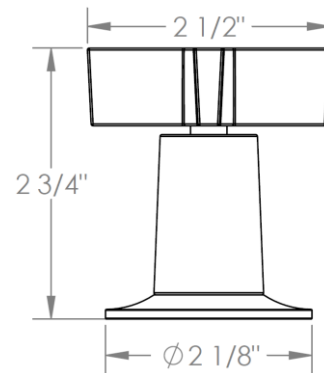
### B9M – SISTINA



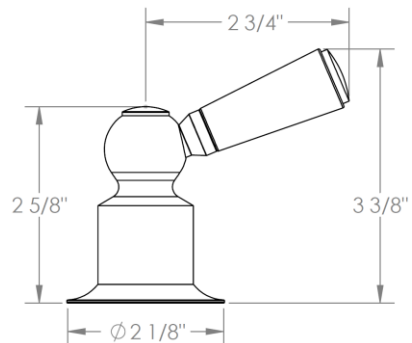
### DD2 – ASTAIRE



### DD3 – GARBO

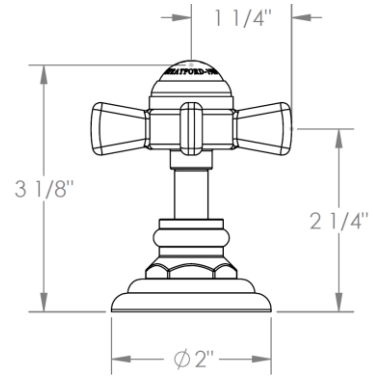


### H4 – HARMONIE



## Haley Handle Trim Options

### S1 – PRESTON



### S1A – NOTTINGHAM

