

37-6.1HS-BL3

Wall Mounted Exposed Shower Set with Hand Shower

Flow Rate: 1.75 GPM

Note: Some building codes may require remote pressure balance valve for anti-scald



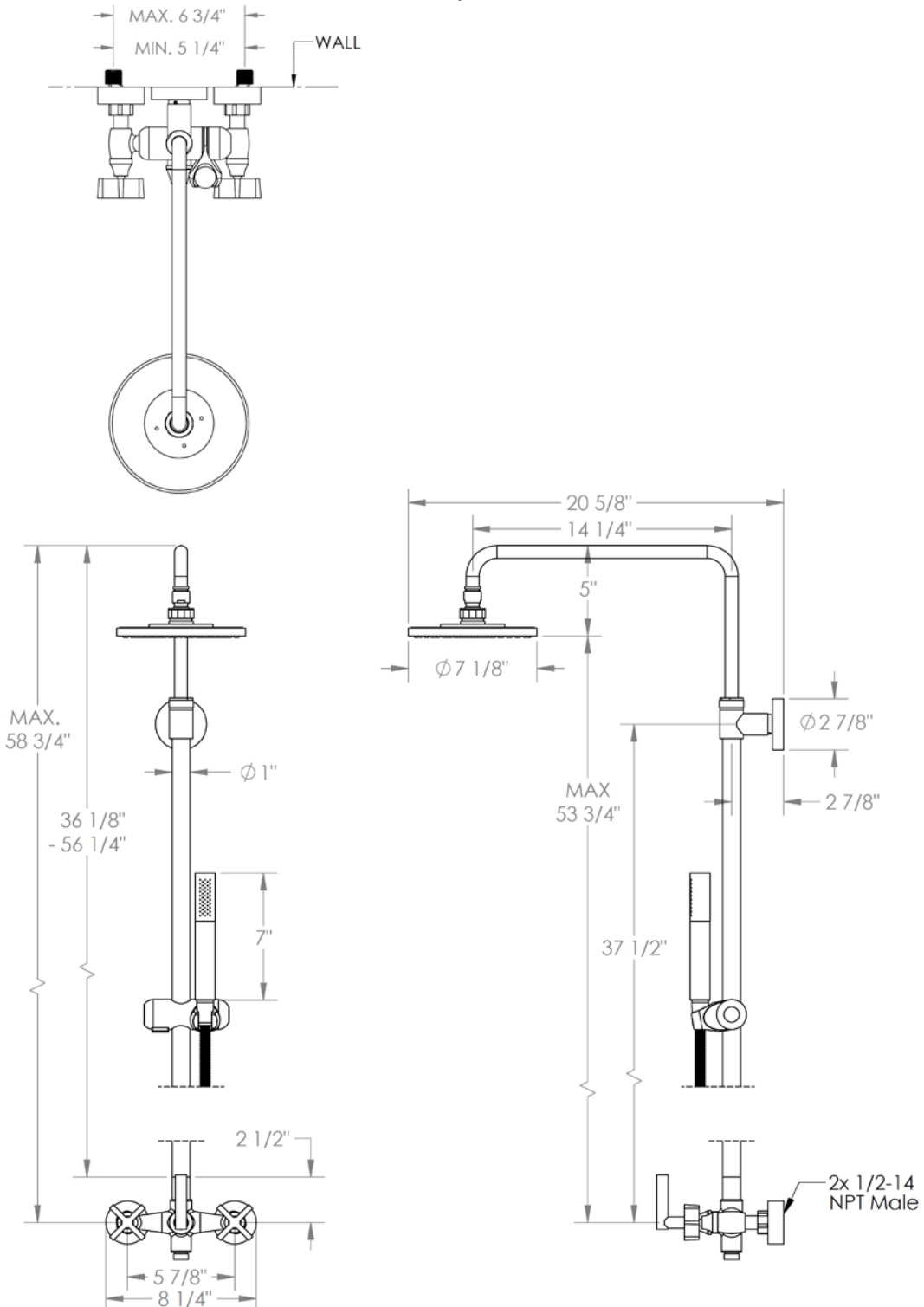
Meets the applicable requirements of ASME A112.18.1-2005/CSA B125.1-05, entitled "Plumbing Supply Fittings"

37-6.1HS-BL3

Wall Mounted Exposed Shower Set with Hand Shower

Flow Rate: 1.75 GPM

Note: Some building codes may require remote pressure balance valve for anti-scald



Meets the applicable requirements of ASME A112.18.1-2005/CSA B125.1-05, entitled "Plumbing Supply Fittings"