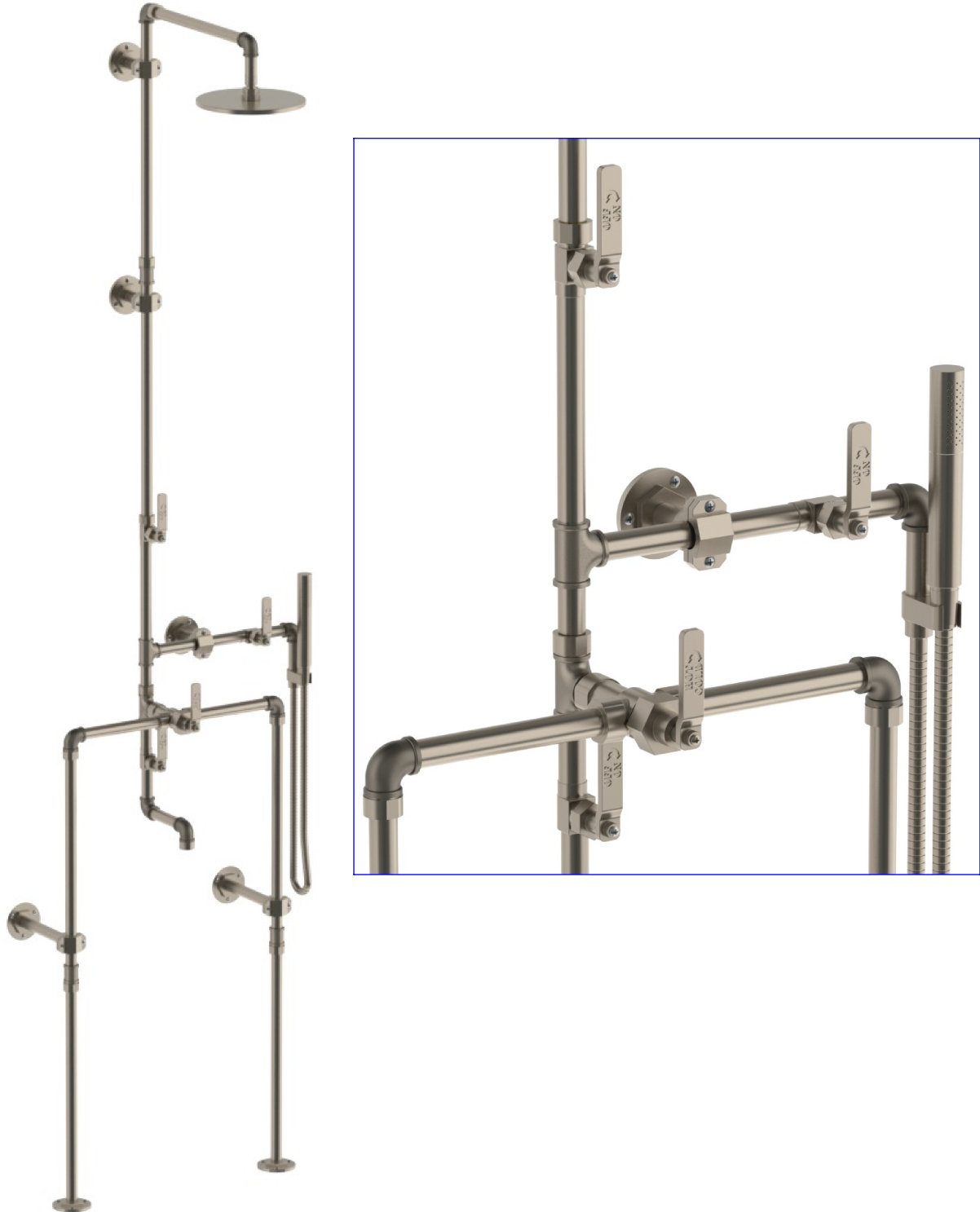


38-3.91FLT-_-_-EV4

Floor Mounted Exposed Thermostatic Tub and Shower Set with Hand Shower

Hand Shower Flow Rate: 1.75 GPM

Note: Please specify (H-J, P-R, U-W)



Meets the applicable requirements of ASME A112.18.1-2005/CSA B125.1-05, entitled "Plumbing Supply Fittings"

WATERMARK DESIGNS 5/18/2020

350 Dewitt Ave Brooklyn NY 11207 USA T 718 257 2800 F 718 257 2144 info@watermark-designs.com

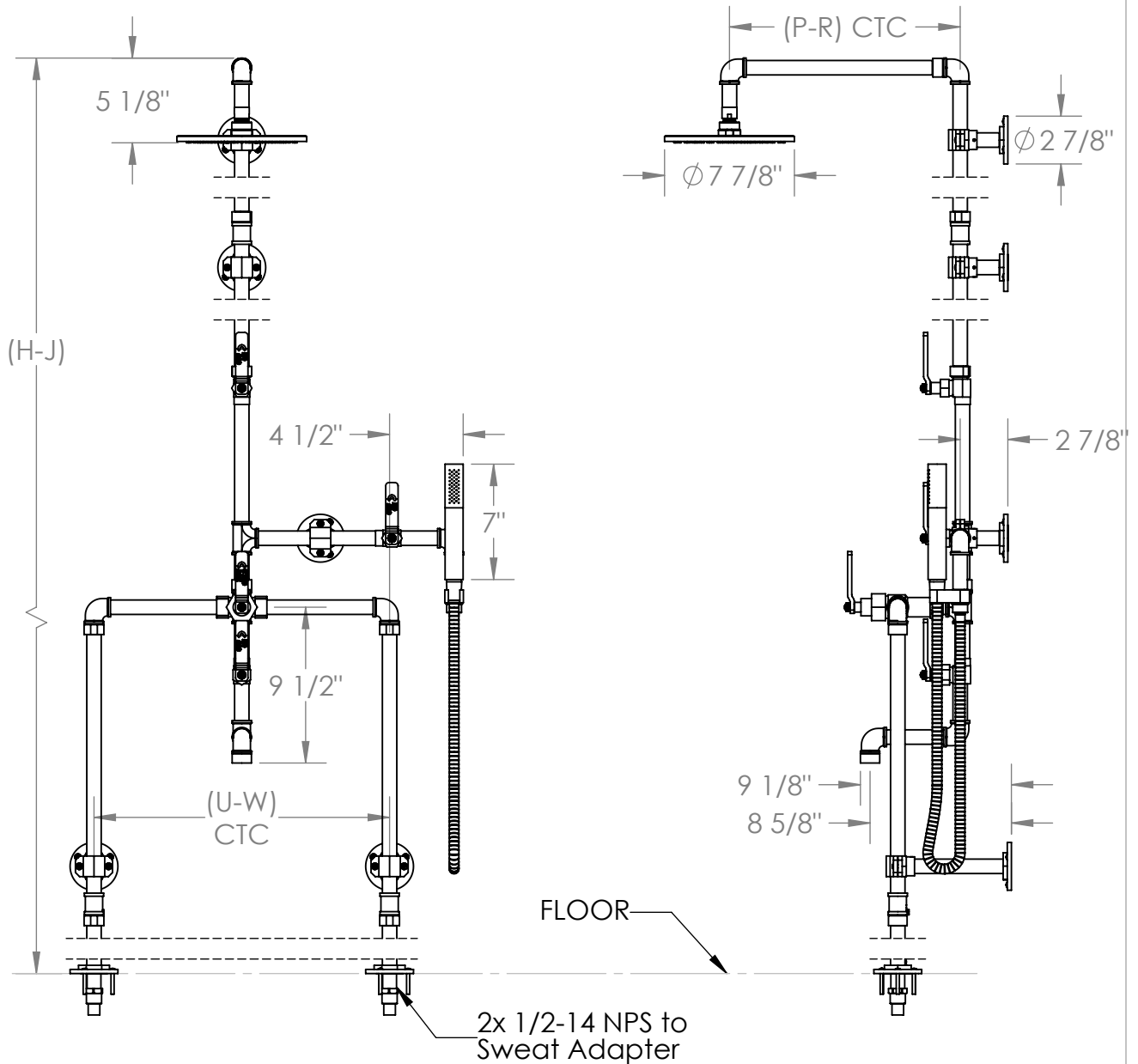
38-3.91FLT-_-_-_-EV4

Floor Mounted Exposed Thermostatic Tub and Shower Set with Hand Shower

Hand Shower Flow Rate: 1.75 GPM

Note: Please specify (H-J, P-R, U-W)

HEIGHT	PROJECTION	MOUNT SPREAD
H = 84"	-----	U = 8"
I = 90"	P = 14"	V = 12"
J = 96"	Q = 16"	W = 18"
-----	R = 18"	-----



Meets the applicable requirements of ASME A112.18.1-2005/CSA B125.1-05, entitled "Plumbing Supply Fittings"