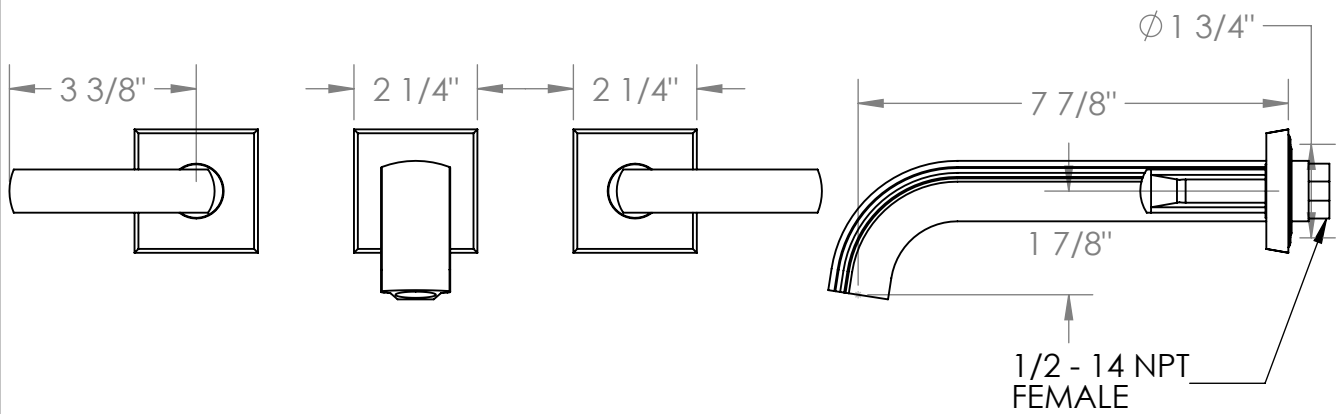
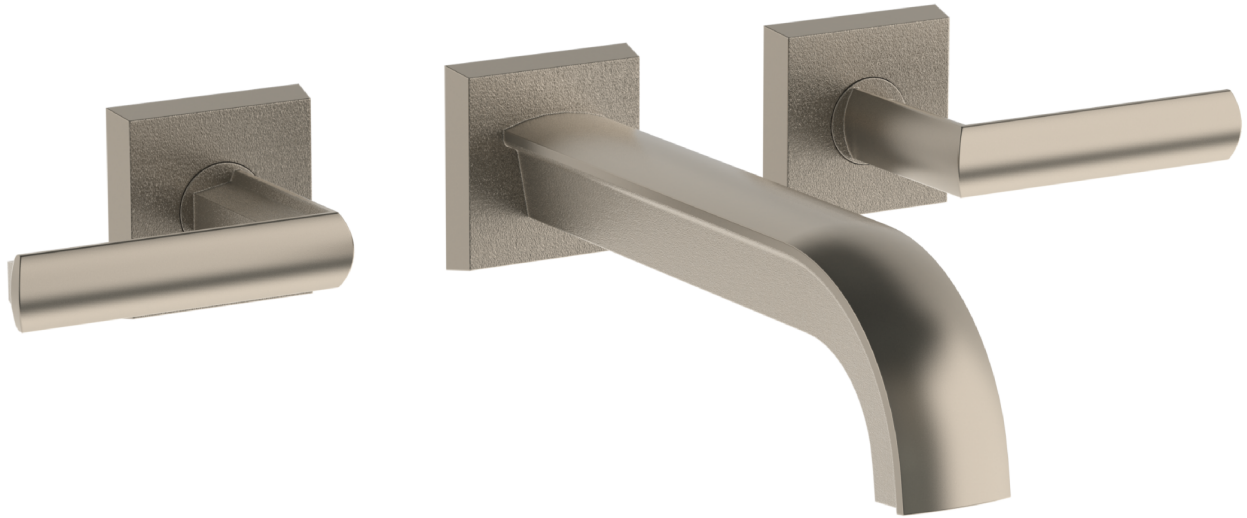


64-2.2-BR4

Wall Mounted 3 Hole Lavatory Set
Does not include drain
Requires SS-THV2.2 concealed rough
Flow Rate: 1.2 GPM



Meets the applicable requirements of ASME A112.18.1-2005/CSA B125.1-05, entitled "Plumbing Supply Fittings"