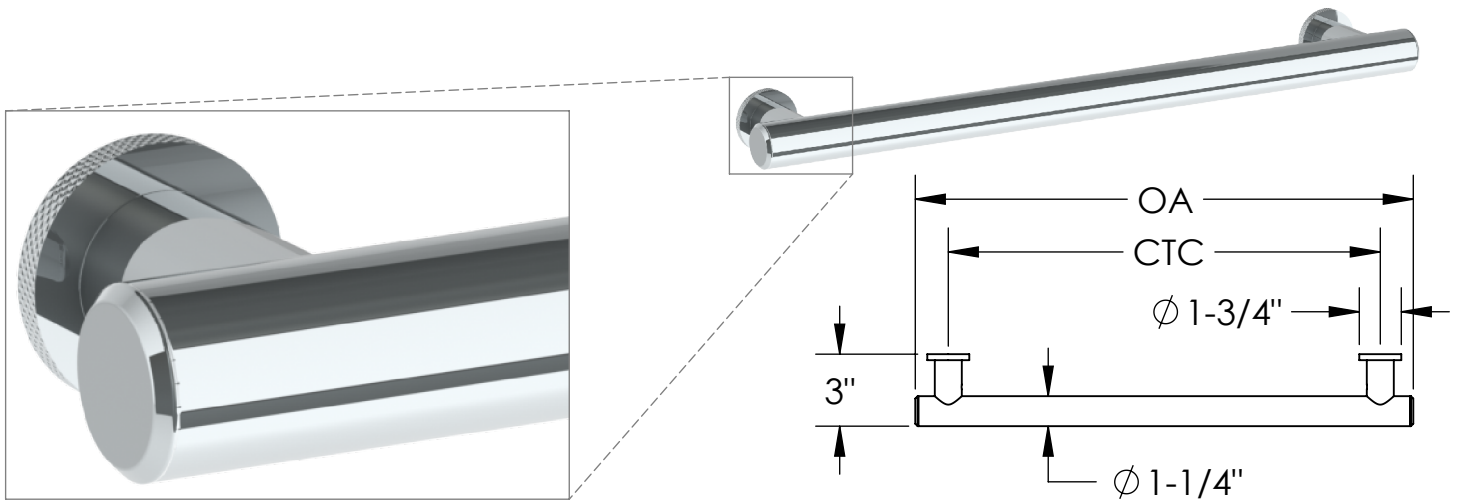
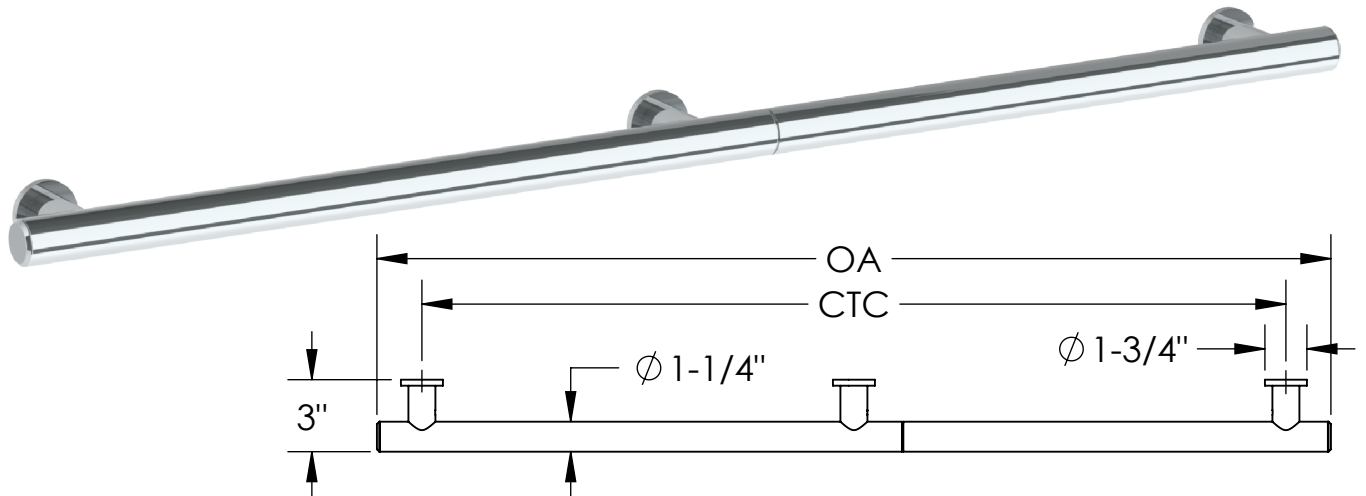


GB7_x
 Shower Grab Bar
 Urbane Collection



MODEL NO.	DIMENSION CTC	DIMENSION OA
<u>GB71</u>	12"	15-3/4"
<u>GB72</u>	16"	19-3/4"
<u>GB73</u>	18"	21-3/4"
<u>GB74</u>	24"	27-3/4"
<u>GB75</u>	32"	35-3/4"



MODEL NO.	DIMENSION CTC	DIMENSION OA
<u>GB76</u>	36"	39-3/4"
<u>GB77</u>	42"	45-3/4"
<u>GB78</u>	48"	51-3/4"

NOTES:

- ADA compliant when located and mounted into a structural support per ADA guidelines.
- The wall mounting plates on the grab bar must be mounted to the wall studs or a brace between the wall studs.