



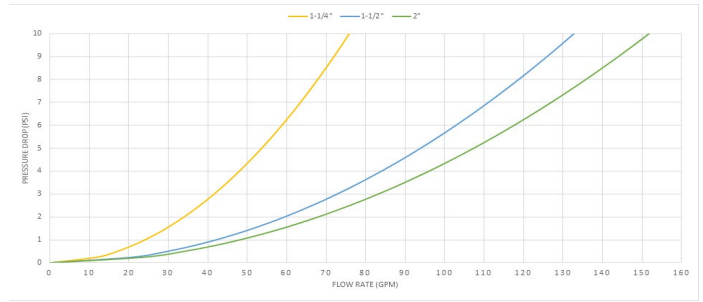
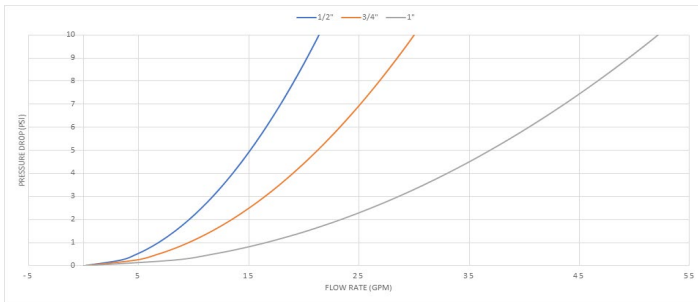
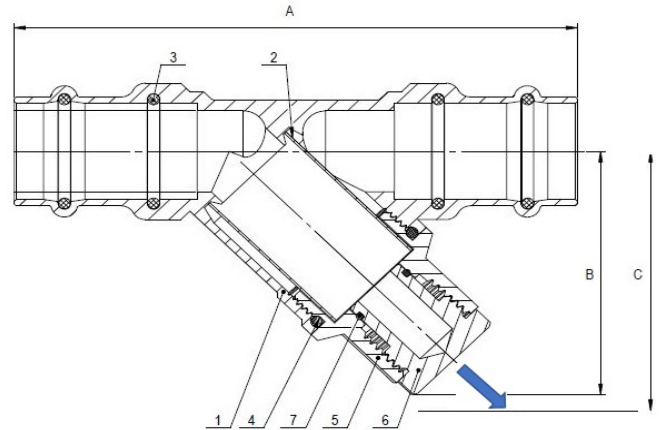
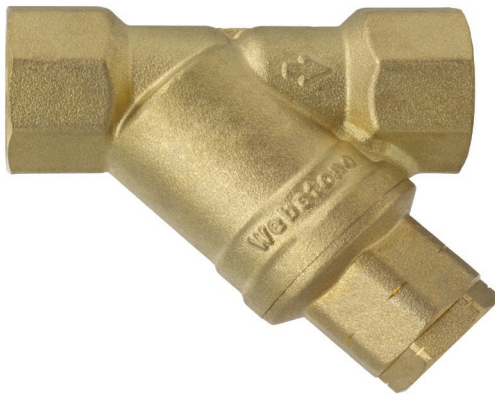
H-x056W Series

Forged DZR Brass Y-Strainer (20 Mesh)
w/ 1/2" Plugged NPT Port

Certifications

Certified to NSF/ANSI 61 & 372
Lead-Free

NO.	DESCRIPTION	MATERIAL
1	Body	Lead-Free DZR Brass
2	Strainer	Stainless Steel
3	O-Ring	EPDM
4	O-Ring	EPDM
5	Cap	Lead-Free DZR Brass
6	1/2 NPT Plug	Lead-Free DZR Brass
7	O-Ring	EPDM



Designed for residential or light commercial use with water, oil, or glycol mix. Threaded ends comply with ANSI B1.20.1.

ITEM#	Connection Type	SIZE (in)	Max Temp	Pressure Rating	A	B	C
H-40562W	FIP	1/2	200°F Max	250 PSI CWP Max	2.60	2.00	3.25
H-40563W	FIP	3/4	200°F Max	250 PSI CWP Max	3.03	2.25	3.75
H-40564W	FIP	1	200°F Max	250 PSI CWP Max	3.31	2.50	4.00
H-40565W	FIP	1 1/4	200°F Max	250 PSI CWP Max	3.94	2.75	4.50
H-40566W	FIP	1 1/2	200°F Max	250 PSI CWP Max	4.33	3.00	5.00
H-40567W	FIP	2	200°F Max	250 PSI CWP Max	5.12	3.75	6.00
H-80562W	Press	1/2	200°F Max	250 PSI CWP Max	4.06	2.00	3.25
H-80563W	Press	3/4	200°F Max	250 PSI CWP Max	4.84	2.25	3.75
H-80564W	Press	1	200°F Max	250 PSI CWP Max	4.88	2.50	4.00
H-80565W	Press	1 1/4	200°F Max	250 PSI CWP Max	5.71	2.75	4.50
H-80566W	Press	1 1/2	200°F Max	250 PSI CWP Max	6.42	3.00	5.00
H-80567W	Press	2	200°F Max	250 PSI CWP Max	7.64	3.25	5.50