



H-x684W Series

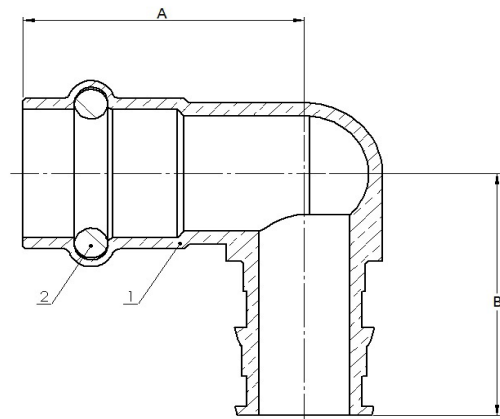
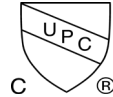
Forged DZR Brass 90° Transition Elbow



NO.	DESCRIPTION	MATERIAL
1	Body	Lead-Free DZR Brass
2	O-Ring	EPDM

Certifications

Certified to NSF/ANSI 61 & 372, NSF/ANSI 14, IGC 319, PS117
Lead-Free



Designed for residential, commercial or industrial use with water, oil, or glycol mix. PEX end dimensions comply with the referenced ASTM specification.

ITEM#	Connection Type	SIZE (in)	Max Temp	Pressure Rating	A	B
H-16842W	Press × F1807 PEX	1/2	250°F Max	250 PSI CWP Max	1.41	1.15
H-16843W	Press × F1807 PEX	3/4	250°F Max	250 PSI CWP Max	1.67	1.21
H-16843W-R	Press × F1807 PEX	3/4 × 1/2	250°F Max	250 PSI CWP Max	1.55	1.22
H-16843W-R58	Press × F1807 PEX	3/4 × 5/8	250°F Max	250 PSI CWP Max	1.65	1.20
H-16844W	Press × F1807 PEX	1	250°F Max	250 PSI CWP Max	1.90	1.60
H-16844W-R	Press × F1807 PEX	1 × 3/4	250°F Max	250 PSI CWP Max	1.80	1.42
H-16844W-RX	Press × F1807 PEX	3/4 × 1	250°F Max	250 PSI CWP Max	1.65	1.38
H-16845W	Press × F1807 PEX	1 1/4	250°F Max	250 PSI CWP Max	2.28	1.91
H-16846W	Press × F1807 PEX	1 1/2	250°F Max	250 PSI CWP Max	2.37	2.19
H-16847W	Press × F1807 PEX	2	250°F Max	250 PSI CWP Max	3.12	2.88
H-36842W	Press × F1960 PEX	1/2	250°F Max	250 PSI CWP Max	1.41	1.23
H-36843W	Press × F1960 PEX	3/4	250°F Max	250 PSI CWP Max	1.67	1.58
H-36843W-R	Press × F1960 PEX	3/4 × 1/2	250°F Max	250 PSI CWP Max	1.55	1.34
H-36843W-R58	Press × F1960 PEX	3/4 × 5/8	250°F Max	250 PSI CWP Max	1.65	1.50
H-36844W	Press × F1960 PEX	1	250°F Max	250 PSI CWP Max	1.90	1.98
H-36844W-R	Press × F1960 PEX	1 × 3/4	250°F Max	250 PSI CWP Max	1.80	1.73
H-36844W-RX	Press × F1960 PEX	3/4 × 1	250°F Max	250 PSI CWP Max	1.65	1.81
H-36845W	Press × F1960 PEX	1 1/4	250°F Max	250 PSI CWP Max	2.28	2.41
H-36846W	Press × F1960 PEX	1 1/2	250°F Max	250 PSI CWP Max	2.37	2.74
H-36847W	Press × F1960 PEX	2	250°F Max	250 PSI CWP Max	3.12	3.53