

Engineering Specification

Job Name _____

Contractor _____

Job Location _____

Approval _____

Engineer _____

Contractor's P.O. No. _____

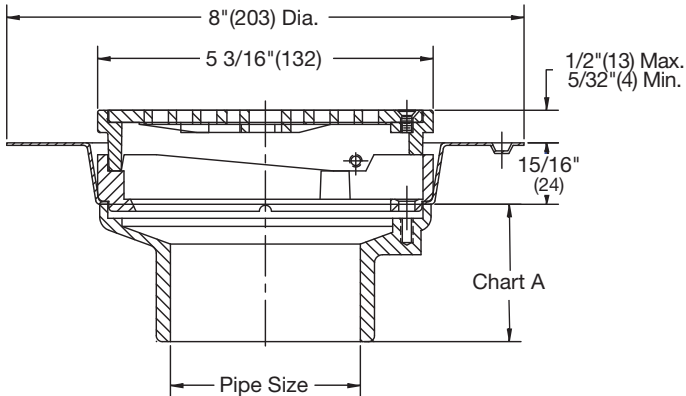
Approval _____

Representative _____

Tag _____

FD-380 Adjustable Wood Floor Drain Specification

Watts FD-380 epoxy coated cast iron wood floor drain with 5"(127) round adjustable heel proof nickel bronze top, galvanized steel securing flange with countersunk holes and no hub (standard) outlet.



Pipe Sizing	
Suffix	Description
2	2"(51) Pipe Size <input type="checkbox"/>
3	3"(76) Pipe Size <input type="checkbox"/>
4	4"(102) Pipe Size <input type="checkbox"/>

Options	
Suffix	Description
-6	Vandal Proof <input type="checkbox"/>
-E	5/16" Stackable Strainer Extension <input type="checkbox"/>
-F4-50	4" Round Cast Iron Funnel <input type="checkbox"/>
-F4-1	4" Round Nickel Bronze Funnel <input type="checkbox"/>
-F6-1	6" Round Nickel Bronze Funnel <input type="checkbox"/>
-G-50	4" x 9" Oval Cast Iron Funnel <input type="checkbox"/>
-G-1	4" x 9" Oval Nickel Bronze Funnel <input type="checkbox"/>

Optional Body Material	
Suffix	Description
-60	PVC Body w/Socket Outlet <input type="checkbox"/>
-61	ABS Body w/Socket Outlet <input type="checkbox"/>

Chart A

Pipe Size	No Hub	60/61 PVC/ABS
2"(51)	2 1/8"(54)	2 7/8"(73)
3"(76)	2 1/8"(54)	2 9/16"(65)
4"(102)	2 1/8"(54)	2 9/16"(65)

Load Rating	Free Area Sq. In.
MD	8

Please refer to watts.com for BAA information on specific models.

NOTICE

The load classifications are in accordance with the American National Standard ASME A112.21.1M ASME Ratings are as follows:
 MD Safe Live Load 2000-4999 lbs. (900-2250 kg)
 The above categories are given as a guide only. Please consult factory.

NOTICE

The information contained herein is not intended to replace the full product installation and safety information available or the experience of a trained product installer. You are required to thoroughly read all installation instructions and product safety information before beginning the installation of this product.

Watts product specifications in U.S. customary units and metric are approximate and are provided for reference only. For precise measurements, please contact Watts Technical Service. Watts reserves the right to change or modify product design, construction, specifications, or materials without prior notice and without incurring any obligation to make such changes and modifications on Watts products previously or subsequently sold.



USA: T: (800) 338-2581 • F: (828) 248-3929 • Watts.com
Canada: T: (888) 208-8927 • F: (888) 479-2887 • Watts.ca
Latin America: T: (52) 55-4122-0138 • Watts.com