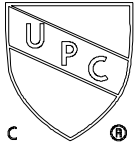




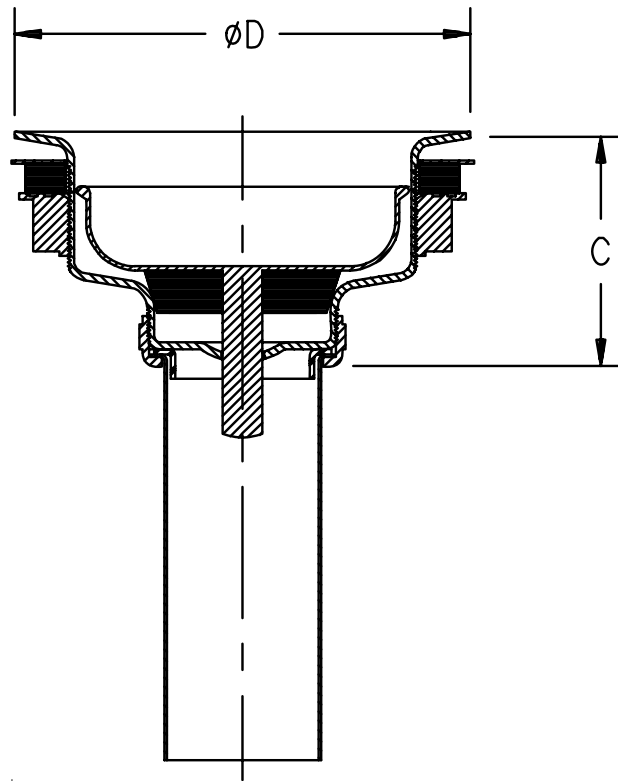
BASKET STRAINER

Z8740-PC TO Z8741-17-SS

TAG _____



Engineering Specification: Zurn Z8740-PC TO Z8741-17-SS – Heavy duty forged basket strainer with matching basket and 1 1/2[38] x 4[102] 20 gauge tailpiece with cast brass locknut and cast brass tailpiece nut.



Note: All dimensions are for reference only. Do not use for pre-plumbing

PRODUCT NUMBER	MATERIAL	DIMENSIONS		MASTER CARTON	WEIGHT CARTON
		C	$\varnothing D$		
Z8740-PC	CHROME PLATED BRASS	2 1/8[54]	4 1/2[114]	16	28
Z8741-SS	STAINLESS STEEL (SS430)	2 3/4[70]	4 3/8[111]	16	24
Z8741-17-SS	STAINLESS STEEL (SS430) W/ 17GA. TAILPIECE	2 3/4[70]	4 3/8[111]	16	24

OPTIONAL ACCESSORIES

Suffix	Description
____ -LTLBN	Less Tailpiece, with zinc locknut and cast brass tailpiece nut

ZURN INDUSTRIES, LLC ♦ COMMERCIAL BRASS OPERATION ♦ 2640 SOUTH WORK STREET ♦ FALCONER NY 14733

Phone: 1-800-997-3876 ♦ Fax: 1-919-775-3541 ♦ www.zurn.com

In Canada: ZURN INDUSTRIES LIMITED ♦ 3544 Nashua Drive ♦ Mississauga, Ontario L4V1L2 ♦ Phone: 905/405-8272 Fax: 905/405-1292