



Z5730

TAG _____

0.5-1.0 gpf Top Spud Siphon Jet Urinal



Z5730 Series

- 0.5-1.0 gpf (gallons per flush)
- Vitreous china
- Siphon Jet Action
- 4 1/8" Back Outlet Rough-in
- 3/4" top spud
- 2" I.P.S. outlet flange and rubber gasket with integral trap
- Shipping Weight: 39 lbs.

Z5730 Series

Recommended Trim:

- Z6003AV-EWS*** AquaVantage® AV 0.5 gpf low consumption exposed urinal flush valve.
- Z6003AV-WS1** AquaVantage® AV 1.0 gpf low consumption exposed urinal flush valve.
- ZTR6203-EWS-LL***
Sensor Long Life Battery Operated Urinal Flush Valve 0.5 gpf [1.9Lpf].
- ZTR6203-WS1-LL**
Sensor Long Life Battery Operated Urinal Flush Valve 1.0 gpf [3.8Lpf].



*This product should be used with a WaterSense labeled counterpart with a compatible flush volume to ensure that the entire system meets the requirements for water efficiency and performance.

These dimensions and specifications are subject to change without notice.

Fixture dimensions meet ANSI/ASME standard A112.19.2 and CAN/CSA B45 requirements.

ZURN INDUSTRIES, LLC. ♦ COMMERCIAL BRASS OPERATION
5900 ELWIN BUCHANAN DRIVE ♦ SANFORD NC 27330
PHONE: 1-800-997-3876 ♦ FAX: 919-775-3541
WWW.ZURN.COM

IN CANADA: ZURN INDUSTRIES LIMITED
7900 GOREWAY DRIVE UNIT 10 ♦ BRAMPTON, ONTARIO L6T5W6
PHONE: 905-405-8272 FAX: 905-405-1292

Engineering Specification:

Z5730 with Top Spud

Vitreous china, 0.5-1.0 gpf [1.9-3.8 Lpf] siphon jet urinal with 3/4" top spud and concealed wall hanger bracket.

This space is for Architectural/engineering Approval

See Zurn One Systems for suggested packages.

The information contained in this document is subject to change without notice.
Please contact Zurn for most up to date information.

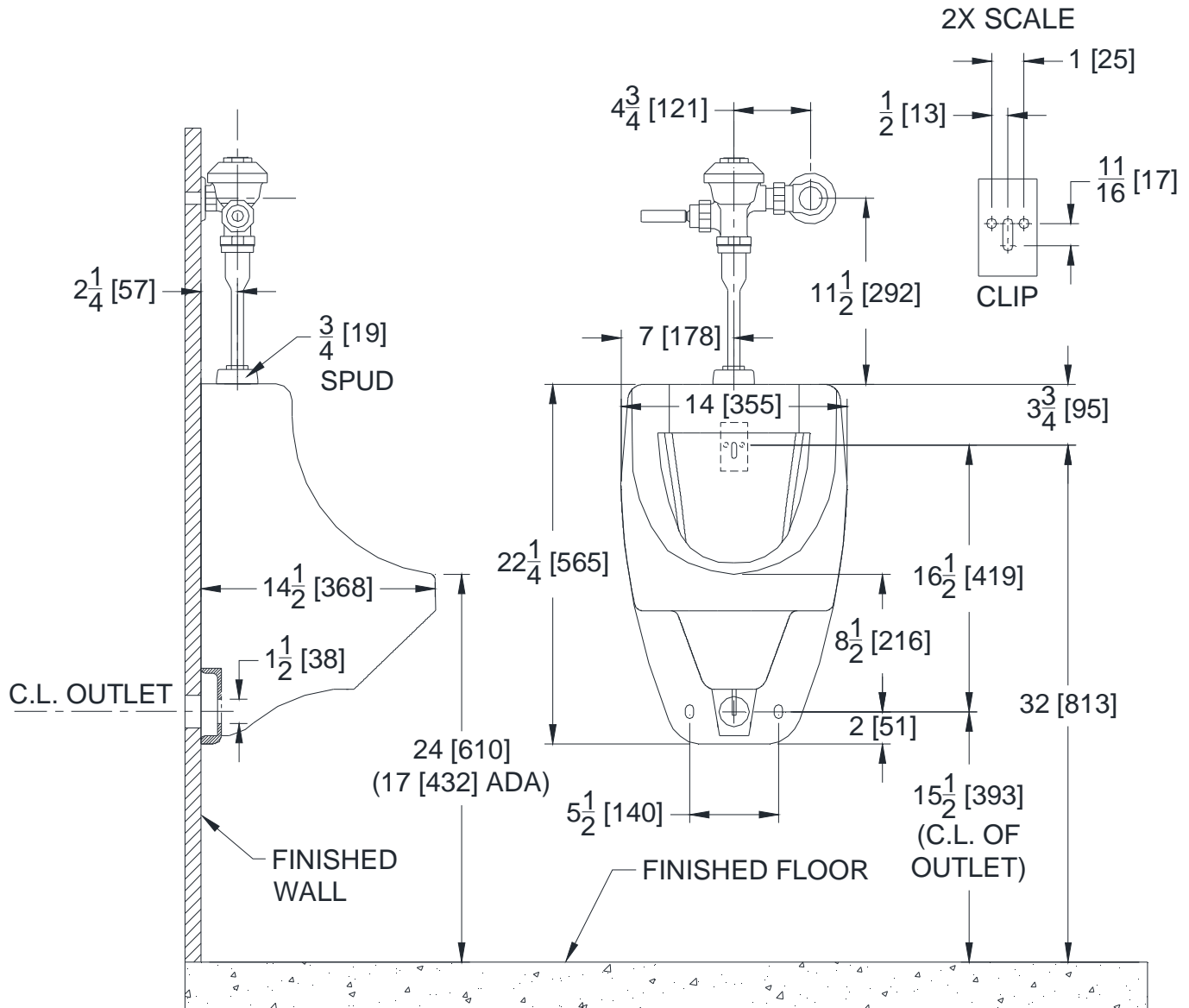


Z5730

TAG _____

0.5-1.0 gpf Top Spud Siphon Jet Urinal

Rough-in dimensions for Z5730 Series



NOTE: Rough-in for concealed plate carrier, see Zurn Z1222 Rough-in sheet.

These dimensions and specifications are subject to change without notice.

ZURN INDUSTRIES, LLC. ♦ COMMERCIAL BRASS OPERATION
5900 ELWIN BUCHANAN DRIVE ♦ SANFORD NC 27330
PHONE: 1-800-997-3876 ♦ FAX: 919-775-3541
WWW.ZURN.COM

IN CANADA: ZURN INDUSTRIES LIMITED
7900 GOREWAY DRIVE UNIT 10 ♦ BRAMPTON, ONTARIO L6T5W6
PHONE: 905-405-8272 FAX: 905-405-1292

Fixture dimensions meet ANSI/ASME standards A112.19.2 and CAN/CSA B45 requirements.

Meets the American Disabilities Guidelines and ANSI A117.1 requirements when urinal is installed 17" [432 mm] from finished floor.

